

## Ductile Iron & Cast Iron Fittings

•ANSI/AWWAC153/C110

3" - 64" Ductile Iron/Cast Iron Flange Joint Fittings,Class150-250

3" - 48" Ductile Iron/Cast Iron Mechanical Joint Fittings,Class350

3" - 24" Ductile Iron/Cast Iron Push-on Joint Fittings,Class150-350

Bends

Tees

Push-on ×Flange Tees

Mechanical ×Flange Tees

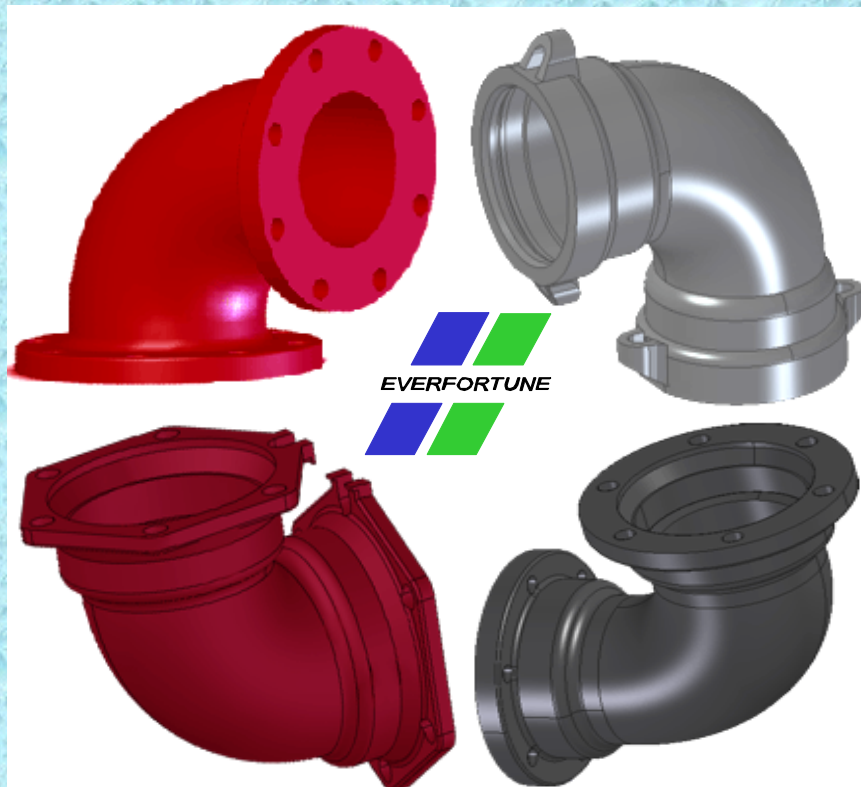
Crosses

Reducers

Push-on ×Flanged End

Mechanical ×Flange End

Blind Flanges



SUZHOU EVERFORTUNE IMP. & EXP.CO.LTD

MR. NI ZHEN YU

TEL: 0086-512-68620273; FAX:0086-512-68625516/68625626

[www.pipingchina.com](http://www.pipingchina.com)

## GENERAL SPECIFICATIONS

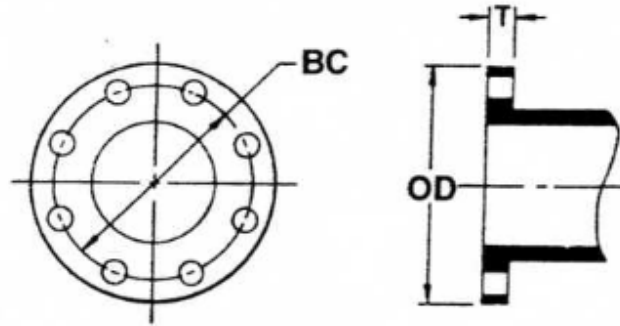
- MATERIAL:** Ductile Iron ASTM A536,Grade 70-50-5  
Cast Iron ASTM A48 Class 30B
- PRESSURE RATING:** 250 PSI Water Working Pressure for CI Sizes 3" -12"  
150 PSI Water Working Pressure for CI Sizes 14" -48"  
250 PSI Water Working Pressure for DI Sizes 3" -48"  
150 PSI Water Working Pressure for DI Sizes 54" -64"
- TESTING:** In accordance with AWWA/ANSI C110/A21.10 Where applicable,Other items are in accordance with manufacturers standards.
- LAYING LENGTH:** In accordance With AWWA/ANSI C110/A21.10 Where applicable,Other items are in accordance With manufacturers standards.
- CEMENT LINING:** In accordance With AWWA/ANSI C104/A21.4
- COATING:** Bituminous coated inside in accordance with AWWA/C104/A21.4.Red primer outside.
- STANDARDS:** AWWA/ANSI C110/A21.10 Where applicable,Other items are in accordance with manufacturers standards.
- APPROVALS:** 3" -12" Underwriters Laboratory Listed

※ **WE CAN ALSO PROVIDE BARE FITTINGS  
FOR SPECIAL COATINGS**

# Ductile Iron & Cast Iron Fittings

•ANSI/AWWAC110

## 3" - 64" Ductile Iron/Cast Iron Flange Joint Fittings,Class150-250



SIZE	OD	BC	T	BOLT HOLE DIAMETER	BOLT DIAMETER AND LENGTH	NO.OF BOLTS
3	7.5	6.0	0.75	0.75	5/8×2-1/2	4
80	190	152	119	19	16×63	4
4	9.0	7.5	0.94	0.75	5/8×3	8
100	229	190	24	19	16×76	8
5	10.0	8.5	0.94	0.88	3/4×2	8
130	254	215	23	22	19×76	8
6	11.0	9.5	1.0	0.87	3/4×3-1/4	8
150	279	241	25	22	19×82	8
8	13.5	11.75	1.12	0.87	3/4×3-1/2	8
200	343	298	28	22	19×89	8
10	16.0	14.25	1.19	1.0	7/8×3-3/4	12
250	406	362	30	25	19×95	12
12	19.0	17.0	1.25	1.0	7/8×3-3/4	12
300	483	432	32	25	19×95	12
14	21.0	18.75	1.38	1.12	1×4-1/4	12
350	533	476	35	28	25×108	12
16	23.5	21.25	1.44	1.12	1×4-1/2	16
400	597	540	36	28	25×114	16
18	25.0	22.75	1.56	1.25	1-1/8×4-3/4	16
450	635	578	40	32	28×121	16
20	27.5	25.0	1.69	1.25	1-1/8×5	20
500	698	635	43	32	28×127	20
24	32.0	29.5	1.88	1.37	1-1/4×5-1/2	20
600	813	749	48	35	32×140	20
30	38.75	36.0	2.12	1.37	1-1/4×6-1/4	28
750	984	914	54	35	32×155	28
36	46.0	42.75	2.38	1.62	1-1/2×7	32
900	1168	1086	60	41	38×179	32
42	53.0	49.5	2.62	1.62	1-1/2×7-1/2	36
1000	1346	1257	66	41	38×190	36
48	59.5	56.0	2.75	1.62	1-1/2×7-3/4	44
1200	1511	1422	70	41	38×197	44
54	66.25	62.75	3.0	2.0	1-3/4×8-1/2	44
1400	1700	1086	75	41	45×205	44
60	73.0	69.5	3.12	2.0	1-3/4×9	52
1500	1900	1800	80	41	45×229	52
64	80.0	76.0	3.38	2.0	1-3/4×9	52
1600	2050	1950	85	41	45×229	52



SUZHOU EVERFORTUNE IMP. & EXP.CO.LTD  
MR. NI ZHEN YU

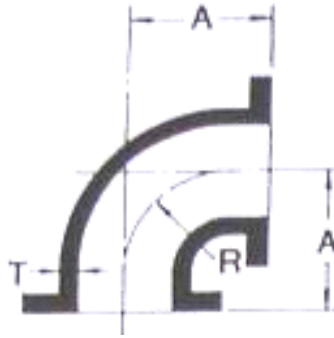
TEL: 0086-512-68620273; FAX:0086-512-68625516/68625626

[www.pipingchina.com](http://www.pipingchina.com)

# Ductile Iron & Cast Iron Fittings

•ANSI/AWWAC110

## 3" - 64" Ductile Iron/Cast Iron Flange Joint Fittings,Class150-250



### Flange Bend 90°

SIZE	A	R	T	WEIGHT IP/KG	PRESSURE	
					RATING GREY CAST IRON	CLASS DUCTILE IRON
3	5.5	4.0	0.48	25	250	250
80	140	102	12	11		
4	6.5	4.5	0.52	45	250	250
100	165	114	13	20		
5	7.5	5.5	-	52	250	250
130	190	139	-	23		
6	8.0	6.0	0.55	65	250	250
150	203	152	14	29		
8	9.0	7.0	0.60	105	250	250
200	229	178	15	48		
10	11.0	9.0	0.80	165	250	250
250	279	229	20	75		
12	12.0	10.0	0.87	235	250	250
300	309	254	22	106		
14	14.0	11.5	0.66	290	150	250
350	356	292	17	131		
16	15.0	12.5	0.70	370	150	250
400	381	317	18	168		
18	16.5	14.0	0.75	450	150	250
450	419	356	19	204		
20	18.0	15.5	0.80	580	150	250
500	457	394	20	263		
24	22.0	18.5	0.89	900	150	150
600	559	470	23	408		
30	25.0	21.5	1.03	1430	150	250
750	635	546	26	649		
36	28.0	24.5	1.15	2135	150	250
900	711	622	29	968		
42	31.0	27.5	1.28	3055	150	250
1000	787	698	32	1386		
48	34.0	30.5	1.42	4095	150	250
1200	864	775	36	1857		
54	39.0	35.42	0.90	3740		150
1400	1000	900	800	1700		
60	43.0	33.34	0.94	4965		150
1500	1100	800	1150	2260		
64	48.0	35.29	0.99	6745		150
1600	1200	900	110	3066		



SUZHOU EVERFORTUNE IMP. & EXP.CO.LTD  
MR. NI ZHEN YU

TEL: 0086-512-68620273; FAX:0086-512-68625516/68625626

[www.pipingchina.com](http://www.pipingchina.com)

# Ductile Iron & Cast Iron Fittings

•ANSI/AWWAC110

3" - 64" Ductile Iron/Cast Iron Flange Joint Fittings,Class150-250



## Flange Bend 45°

SIZE	A	R	T	WEIGHT IP/KG	PRESSURE	
					RATING GREY CAST IRON	CLASS DUCTILE IRON
3	3.0	3.62	0.48	20	250	250
80	76	92	12	9		
4	4.0	4.81	0.52	40	250	250
100	102	122	13	18		
5	4.5	6.04	-	45	250	250
130	114	153	-	20		
6	5.0	7.25	0.55	55	250	250
150	127	184	14	25		
8	5.5	8.44	0.60	90	250	250
200	140	214	15	41		
10	6.5	10.88	0.80	130	250	250
250	165	276	20	59		
12	7.5	13.25	0.87	195	250	250
300	190	336	22	88		
14	7.5	12.06	0.66	220	150	250
350	190	306	17	100		
16	8.0	13.25	0.70	280	150	250
400	203	336	18	127		
18	8.5	14.5	0.75	325	150	250
450	216	368	19	147		
20	9.5	16.88	0.80	430	150	250
500	241	429	20	195		
24	11.0	18.12	0.89	630	150	150
600	279	460	23	286		
30	15.0	27.75	1.03	1120	150	250
750	381	705	26	508		
36	18.0	35.0	1.15	1755	150	250
900	457	889	29	796		
42	21.0	42.25	1.28	2600	150	250
1000	533	1073	32	1179		
48	24.0	49.5	1.42	3580	150	250
1200	610	1257	36	1624		
54	20.5	41.05	0.90	2735		150
1400	500	1050	800	1245		
60	23.5	45.48	0.94	3790		150
1500	600	1150	1150	1725		
64	25.0	47.78	0.99	5105		150
1600	650	1200	110	2320		



SUZHOU EVERFORTUNE IMP. & EXP.CO.LTD  
MR. NI ZHEN YU

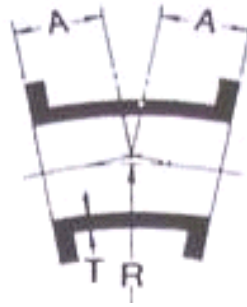
TEL: 0086-512-68620273; FAX:0086-512-68625516/68625626

[www.pipingchina.com](http://www.pipingchina.com)

# Ductile Iron & Cast Iron Fittings

•ANSI/AWWAC110

3" - 64" Ductile Iron/Cast Iron Flange Joint Fittings,Class150-250



## Flange Bend 22.5°

SIZE	A	R	T	WEIGHT IP/KG	PRESSURE	
					RATING GREY CAST IRON	CLASS DUCTILE IRON
3	3.0	7.56	0.48	20	250	250
80	76	192	12	9		
4	4.0	10.06	0.52	40	250	250
100	102	2.55	13	18		
5			-		250	250
130						
6	5.0	15.06	0.55	55	250	250
150	127	382	14	25		
8	5.5	17.62	0.60	90	250	250
200	140	447	15	41		
10	6.5	22.62	0.80	135	250	250
250	165	574	20	61		
12	7.5	27.62	0.87	205	250	250
300	190	701	22	93		
14	7.5	25.12	0.66	225	150	250
350	190	638	17	102		
16	8.0	27.62	0.70	285	150	250
400	203	701	18	129		
18	8.5	30.19	0.75	335	150	250
450	216	767	19	152		
20	9.5	35.19	0.80	435	150	250
500	241	894	20	197		
24	11.0	37.69	0.89	640	150	150
600	279	957	23	290		
30	15.0	57.81	1.03	1135	150	250
750	381	1468	26	515		
36	18.0	72.88	1.15	1790	150	250
900	457	1851	29	812		
42	21.0	88.0	1.28	2665	150	250
1000	533	2235	32	1209		
48	24.0	103.06	1.42	3665	150	250
1200	510	2618	36	1662		
54	14.0	32.42	0.90	2260		150
1400	22	400	800	1027		
60	14.0	39.41	0.94	2985		150
1500	24	400	1150	1356		
64	13.5	41.68	0.99	3995		150
1600	25	350	110	1816		



SUZHOU EVERFORTUNE IMP. & EXP.CO.LTD  
MR. NI ZHEN YU

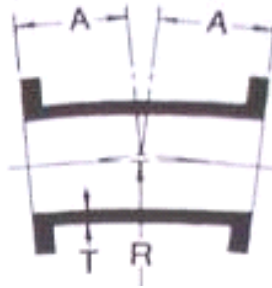
TEL: 0086-512-68620273; FAX:0086-512-68625516/68625626

[www.pipingchina.com](http://www.pipingchina.com)

# Ductile Iron & Cast Iron Fittings

•ANSI/AWWAC110

## 3" - 64" Ductile Iron/Cast Iron Flange Joint Fittings,Class150-250



### Flange Bend 11.25°

SIZE	A	R	T	WEIGHT IP/KG	PRESSURE	
					RATING GREY CAST IRON	CLASS DUCTILE IRON
3	3.0	15.25	0.48	20	250	250
80	76	387	12	9		
4	4.0	20.31	0.52	40	250	250
100	102	516	13	18		
5			-		250	250
130						
6	5.0	30.5	0.55	55	250	250
150	127	775	14	25		
8	5.5	35.5	0.60	90	250	250
200	140	902	15	41		
10	6.5	45.69	0.80	135	250	250
250	165	1160	20	61		
12	7.5	55.81	0.87	205	250	250
300	190	1417	22	93		
14	7.5	50.75	0.66	225	150	250
350	190	1289	17	102		
16	8.0	55.81	0.70	285	150	250
400	203	1417	18	129		
18	8.5	60.94	0.75	335	150	250
450	216	1548	19	152		
20	9.5	71.06	0.80	435	150	250
500	241	1805	20	197		
24	11.0	76.12	0.89	645	150	150
600	279	1933	23	292		
30	15.0	116.75	1.03	1150	150	250
750	381	2965	26	522		
36	18.0	147.25	1.15	1805	150	250
900	457	3740	29	819		
42	21.0	177.69	1.28	2680	150	250
1000	533	4513	32	1216		
48	24.0	208.12	1.42	3695	150	250
1200	610	5286	36	1676		
54	12.0	30.81	0.90	2100		150
1400	850	300	800	955		
60	10.5	44.07	0.94	2665		150
1500	1000	270	1150	1212		
64	9.5	43.56	0.99	3585		150
1600	1050	240	110	1630		



SUZHOU EVERFORTUNE IMP. & EXP.CO.LTD  
MR. NI ZHEN YU

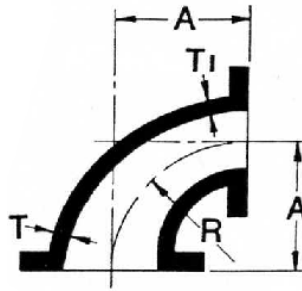
TEL: 0086-512-68620273; FAX:0086-512-68625516/68625626

[www.pipingchina.com](http://www.pipingchina.com)

# Ductile Iron & Cast Iron Fittings

•ANSI/AWWAC110

## 3" - 64" Ductile Iron/Cast Iron Flange Joint Fittings,Class150-250



### Reducing Bend 90°

SIZE	A	R	T	T1	WEIGHT IP/KG	PRESSURE	
						RATING GREY CAST IRON	CLASS DUCTILE IRON
3×2	5.5	4.0	.48	.31	22		
80×50	1.39	101	12	7	9	250	250
4×3	6.5	4.5	.52	.48	29		
100×80	165	114	13	12	13	250	250
6×3	8.0	6.0	.55	.48	45		
150×80	203	152	14	12	20	250	250
6×4	8.0	6.0	.55	.52	55		
150×100	203	152	14	13	25	250	250
6×5	8.0	6.0	.55	.52	65		
150×130	203	152	14	13	29	250	250
8×4	9.0	7.0	.60	.52	75		
200×100	229	178	15	13	34	250	250
8×5	9.0	7.0	.60	.52	80		
200×130	229	178	18	13	36	250	250
8×5	9.0	7.0	.60	.55	85		
200×150	229	178	15	14	38	250	250
10×4	11.0	9.0	.68	.52	110		
250×100	279	229	17	13	50	250	250
10×6	11.0	9.0	.68	.55	135		
250×150	279	229	17	14	61	250	250
10×8	11.0	9.0	.68	.60	150		
250×200	279	229	17	15	68	250	250
12×4	12.0	10.0	.75	.52	140		
300×100	305	254	19	13	63	250	150
12×6	12.0	10.0	.75	.55	160		
300×150	305	254	19	14	72	250	250
12×8	12.0	10.0	.75	.60	180		
300×200	305	254	19	15	82	250	250
12×10	12.0	10.0	.75	.68	210		
300×250	305	254	19	17	95	250	250
14×6	14.0	11.5	.66	.55	144		
350×150	356	292	17	14	65	150	250
14×8	14.0	11.5	.66	.60	200		
350×200	356	292	17	15	91	150	250
14×10	14.0	11.5	.66	.68	240		
350×250	356	292	17	17	109	150	250
14×12	14.0	11.5	.66	.75	270		
350×300	356	292	17	19	122	150	250
16×6	15.0	12.5	.70	.55	220		
400×150	381	317	18	14	100	150	250
16×8	15.0	12.5	.70	.60	240		
400×200	381	317	18	15	109	150	250
16×10	15.0	12.5	.70	.68	280		
400×250	381	317	18	17	127	150	250
16×12	15.0	12.5	.70	.75	310		
400×300	381	317	18	19	141	150	250



SUZHOU EVERFORTUNE IMP. & EXP.CO.LTD  
MR. NI ZHEN YU

TEL: 0086-512-68620273; FAX:0086-512-68625516/68625626

[www.pipingchina.com](http://www.pipingchina.com)



# Ductile Iron & Cast Iron Fittings

•ANSI/AWWAC110

## 3" - 64" Ductile Iron/Cast Iron Flange Joint Fittings,Class150-250

### Reducing Bend 90°

SIZE	A	R	T	T1	WEIGHT IP/KG	PRESSURE	
						RATING GREY CAST IRON	CLASS DUCTILE IRON
16×14	15.0	12.5	.70	.66	330		
400×350	381	317	18	17	150	150	250
18×6	16.5	14.0	.75	.55	260		
450×150	419	356	19	14	118	150	250
18×8	16.5	14.0	.75	.60	280		
450×200	419	356	19	15	127	150	250
18×10	16.5	14.0	.75	.68	320		
450×250	419	356	19	17	145	150	250
18×12	16.5	14.0	.75	.75	350		
450×300	419	356	19	19	159	150	250
18×14	16.5	14.0	.75	.66	370		
450×350	419	356	19	17	168	150	250
18×16	16.5	14.0	.75	.70	410		
450×400	419	356	19	18	186	150	250
20×6	18.0	15.5	.80	.55	320		
500×150	457	394	20	14	145	150	250
20×8	18.0	15.5	.80	.60	345		
500×200	457	394	20	15	156	150	250
20×10	18.0	15.5	.80	.68	385		
500×250	457	394	20	17	175	150	250
20×12	18.0	15.5	.80	.75	415		
500×300	457	394	20	19	188	150	250
20×14	18.0	15.5	.80	.66	435		
500×350	457	394	20	17	197	150	250
20×16	18.0	15.5	.80	.70	475		
500×400	457	394	20	18	215	150	250
20×18	18.0	15.5	.80	.75	515		
500×450	457	394	20	19	234	150	250
24×6	22.0	18.5	.89	.55	480		
600×150	559	470	23	14	218	150	250
24×8	22.0	18.5	.89	.60	505		
600×200	559	470	23	15	229	150	250
24×10	22.0	18.5	.89	.68	545		
600×250	559	470	23	17	247	150	250
24×12	22.0	18.5	.89	.75	575		
600×300	559	470	23	19	261	150	250
24×14	22.0	18.5	.89	.66	595		
600×350	559	470	23	17	270	150	250
24×16	22.0	18.5	.89	.70	635		
600×400	559	470	23	18	288	150	250
24×18	22.0	18.5	.89	.75	675		
600×450	559	470	23	19	306	150	250
24×20	22.0	18.5	.89	.80	740		
600×500	559	470	23	20	336	150	250
30×12	25.0	21.5	1.03	.75	840		
750×300	635	546	26	19	381	150	250
30×14	25.0	21.5	1.03	.66	860		
750×350	635	546	26	17	390	150	250
30×16	25.0	21.5	1.03	.70	900		
750×400	635	546	26	18	408	150	250
30×18	25.0	21.5	1.03	.75	940		
750×450	635	546	26	19	426	150	250



SUZHOU EVERFORTUNE IMP. & EXP.CO.LTD  
MR. NI ZHEN YU

TEL: 0086-512-68620273; FAX:0086-512-68625516/68625626

[www.pipingchina.com](http://www.pipingchina.com)

# Ductile Iron & Cast Iron Fittings

•ANSI/AWWAC110

## 3" - 64" Ductile Iron/Cast Iron Flange Joint Fittings,Class150-250

### Reducing Bend 90°

SIZE	A	R	T	T1	WEIGHT IP/KG	PRESSURE	
						RATING GREY CAST IRON	CLASS DUCTILE IRON
30×20	25.0	21.5	1.03	.80	1005	150	250
750×500	635	546	26	20	456		
30×24	25.0	21.5	1.03	.89	1165	150	250
750×600	635	546	26	23	528		
36×12	28.0	24.5	1.15	.75	1195	150	250
900×300	711	622	29	19	542		
36×14	28.0	24.5	1.15	.66	1215	150	250
900×350	711	622	29	17	551		
36×16	28.0	24.5	1.15	.70	1255	150	250
900×400	711	622	29	18	569		
36×18	28.0	24.5	1.15	.75	1295	150	250
900×450	711	622	29	19	87		
36×20	28.0	24.5	1.15	.80	1360	150	250
900×500	711	622	29	20	617		
36×24	28.0	24.5	1.15	.89	1520	150	250
900×600	711	622	29	23	689		
36×30	28.0	24.5	1.15	1.03	1785	150	250
900×750	711	622	29	26	810		
42×12	31.0	27.5	1.28	.75	1655	150	250
1000×300	787	698	32	19	751		
42×14	31.0	27.5	1.28	.66	1675	150	250
1000×350	787	698	32	17	760		
42×16	31.0	27.5	1.28	.70	1715	150	250
1000×400	787	698	32	18	778		
42×18	31.0	27.5	1.28	.75	1755	150	250
1000×450	787	698	32	19	796		
42×20	31.0	27.5	1.28	.80	1820	150	250
1000×500	787	698	32	20	825		
42×24	31.0	27.5	1.28	.89	1980	150	250
1000×600	787	698	32	23	898		
42×30	31.0	27.5	1.28	1.03	2245	150	250
1000×750	787	698	32	26	1018		
42×36	31.0	27.5	1.28	1.15	2600	150	250
1000×900	787	698	32	29	1179		
48×12	34.0	30.5	1.42	.75	2175	150	250
1200×300	864	775	36	19	986		
48×14	34.0	30.5	1.42	.66	2195	150	250
1200×350	864	775	36	17	996		
48×16	34.0	30.5	1.42	.70	2235	150	250
1200×400	864	775	36	18	1014		
48×18	34.0	30.5	1.42	.75	2275	150	250
1200×450	864	775	36	19	1032		
48×20	34.0	30.5	1.42	.80	2340	150	250
1200×500	864	775	36	20	1061		
48×24	34.0	30.5	1.42	.89	2500	150	250
1200×600	864	775	36	23	1134		
48×30	34.0	30.5	1.42	1.03	2765	150	250
1200×750	864	775	36	26	1254		
48×36	34.0	30.5	1.42	1.15	3115	150	250
1200×900	864	775	36	29	1412		
48×42	34.0	30.5	1.42	1.42	3580	150	250
1200×1000	864	775	36	32	1624		



SUZHOU EVERFORTUNE IMP. & EXP.CO.LTD  
MR. NI ZHEN YU

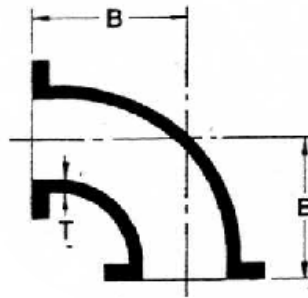
TEL: 0086-512-68620273; FAX:0086-512-68625516/68625626

[www.pipingchina.com](http://www.pipingchina.com)

# Ductile Iron & Cast Iron Fittings

•ANSI/AWWAC110

3" - 64" Ductile Iron/Cast Iron Flange Joint Fittings,Class150-250



## Long Radius Bend 90°

SIZE	B	T	WEIGHT IP/KG	PRESSURE	
				RATING GREY CAST IRON	CLASS DUCTILE IRON
3	7.75	.48	30	250	250
80	197	12	14		
4	9.0	.52	50	250	250
100	229	13	23		
5	10.25	.52	65	250	250
130	260	13	29		
6	11.5	.55	80	250	250
150	292	14	36		
8	14.0	.60	140	250	250
200	356	15	63		
10	16.5	.68	215	250	250
250	419	17	97		
12	19.0	.75	325	250	250
300	483	19	147		
14	21.5	.66	385	150	250
350	546	17	175		
16	24.0	.70	505	150	250
400	610	18	229		
18	26.5	.75	630	150	250
450	673	19	286		
20	29.0	.80	810	150	250
500	737	20	367		
24	34.0	.89	1240	150	250
600	864	23	562		
30	41.5	1.03	2105	150	250
750	1054	26	955		
36	49.0	1.15	3285	150	250
900	1245	29	1490		
42	56.5	1.28	4865	150	250
1000	1435	32	2207		
48	64.0	1.42	6790	150	250
1200	1626	36	3080		



SUZHOU EVERFORTUNE IMP. & EXP.CO.LTD  
MR. NI ZHEN YU

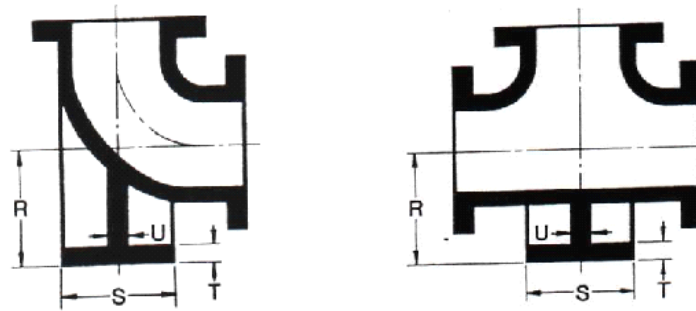
TEL: 0086-512-68620273; FAX:0086-512-68625516/68625626

[www.pipingchina.com](http://www.pipingchina.com)

# Ductile Iron & Cast Iron Fittings

•ANSI/AWWAC110

3" - 64" Ductile Iron/Cast Iron Flange Joint Fittings, Class 150-250



## BASE BENDS & BASE TEES

SIZE	R	S	T	U	BC	PRESSURE	
						RATING GREY CAST IRON	CLASS DUCTILE IRON
3	4.88	5.0	.56	.50	3.88	250	250
80	124	127	14	13	98		
4	5.50	6.0	.62	.50	4.75	250	250
100	140	152	16	13	121		
6	7.0	7.0	.69	.62	5.5	250	250
150	178	178	17	16	140		
8	8.38	9.0	.94	.88	7.5	250	250
200	213	229	24	22	190		
10	9.75	9.0	.94	.88	7.5	250	250
250	248	229	24	22	190		
12	11.25	11.0	1.0	1.0	9.5	150	250
300	286	279	25	35	241		
14	12.5	11.0	1.0	1.0	9.5	150	250
350	317	279	25	25	241		
16	13.75	11.0	1.0	1.0	9.5	150	250
400	349	279	25	25	241		
18	15.0	13.5	1.12	1.12	11.75	150	250
450	381	343	28	28	298		
20	16.0	13.5	1.12	1.12	11.75	150	250
500	406	343	28	28	298		
24	18.5	13.5	1.12	1.12	11.75	150	250
600	470	343	28	28	298		
30	23.0	16.0	1.19	1.15	14.25	150	250
750	584	406	30	29	362		
36	26.0	19.0	1.25	1.15	17.0	150	250
900	660	483	32	29	432		
42	30.0	23.5	1.44	1.28	21.25	N/A	250
1000	762	597	36	32	540		
48	34.0	25.0	1.56	1.42	22.75	N/A	250
1200	864	635	40	36	578		
54	38.0	27.5	1.69	1.55	25.0	N/A	150
1400	100	700	45	40	540		
60	42.0	32.0	1.88	1.75	28.5	N/A	150
1500	1100	800	50	45	540		
64	44.0	28.75	2.12	1.75	36.0	N/A	150
1600	1125	1000	55	45	540		



SUZHOU EVERFORTUNE IMP. & EXP.CO.LTD  
MR. NI ZHEN YU

TEL: 0086-512-68620273; FAX:0086-512-68625516/68625626

[www.pipingchina.com](http://www.pipingchina.com)

# Ductile Iron & Cast Iron Fittings

•ANSI/AWWAC110

3" - 64" Ductile Iron/Cast Iron Flange Joint Fittings,Class150-250

## BASE BENDS & BASE TEES

SIZE	BOLT HOLE DIA.	GRAY IRON	DUCT IRON	WEIGHT(IP/KG)			
				BASE TEE	BASE ONLY	BASE BEND	BASE ONLY
3	6/8	250	250	45	5	35	10
80	16			20	2	16	4
4	3/4	250	250	75	10	55	10
100	19			34	4	25	4
6	3/4	250	250	110	15	85	20
150	19			7	7	35	9
8	3/4	250	250	185	30	145	40
200	19			84	14	66	18
10	3/4	250	250	300	30	210	45
250	19			136	14	95	20
12	7/8	250	250	430	45	300	65
300	22			195	20	136	32
14	7/8	150	250	485	50	360	70
350	22			220	23	163	32
16	7/8	150	250	600	50	445	75
400	22			272	23	202	34
18	7/8	150	250	740	75	565	115
450	22			336	34	256	52
20	7/8	150	250	930	75	700	120
500	22			422	34	317	54
24	7/8	150	250	1410	80	1030	130
600	22			639	36	467	59
30	1	150	250	2270	120	1625	190
750	25			1030	54	737	86
36	1	150	250	3320	160	2385	250
900	25			1506	72	1082	113
42	1-1/8	150	250	4740	270	3465	410
1000	29			2150	122	1572	186
48	1-1/4	150	250	6235	335	4610	515
1200	32			2828	152	2091	234
54	1-1/4	N/A	150	6465	440	415	675
1400	29			2939	200	2007	307
60	1-3/8	N/A	150	8755	710	5950	985
1500	29			3979	323	2705	448
64	1-3/8	N/A	150	12045	1050	8155	1410
1600	29			5475	477	3707	640



SUZHOU EVERFORTUNE IMP. & EXP.CO.LTD  
MR. NI ZHEN YU

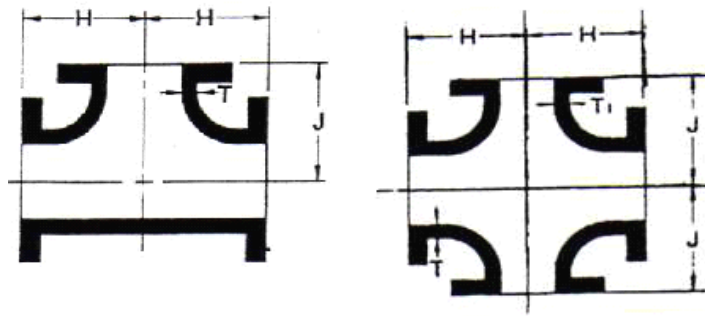
TEL: 0086-512-68620273; FAX:0086-512-68625516/68625626

[www.pipingchina.com](http://www.pipingchina.com)

# Ductile Iron & Cast Iron Fittings

•ANSI/AWWAC110

3" - 64" Ductile Iron/Cast Iron Flange Joint Fittings,Class150-250



## TEES & CROSSES

SIZE	H	J	T	PRESSURE		WEIGHT(IP/KG)	
				RATING GREY CAST IRON	CLASS DUCTILE IRON	TEE	CROSS
3	5.5	5.5	.48	250	250	40	50
80	140	140	12			18	23
4	6.5	6.5	.52	250	250	65	80
100	165	165	13			29	36
5	7.5	7.5	.52	250	250	85	105
130	190	190	13			38	47
6	8.0	8.0	.55	250	250	95	120
150	203	203	14			43	54
8	9.0	9.0	.60	250	250	155	195
200	229	229	15			70	88
10	11.0	11.0	.80	250	250	270	330
250	279	279	22			122	150
12	12.0	12.0	.87	250	250	385	460
300	305	305	22			175	209
14	14.0	14.0	.66	150	250	435	530
350	356	356	17			197	240
16	15.0	15.0	.70	150	250	550	665
400	381	381	18			249	302
15	16.5	16.5	.75	150	250	665	795
450	419	419	19			302	361
20	18.0	18.0	.80	150	250	855	1015
500	457	457	20			388	460
24	22.0	22.0	.89	150	250	1330	1570
600	559	559	23			603	712
30	25.0	25.0	1.03	150	250	2150	2500
750	635	635	26			975	1134
36	28.0	28.0	1.15	150	250	3160	3620
900	711	711	29			1433	1642
42	31.0	31.0	1.28	150	250	4470	5065
1000	787	787	32			2027	2297
48	34.0	34.0	1.42	150	250	5900	6570
1200	864	864	36			2676	1134
54	39.0	39.0	1.05	N/A	150	6025	6780
1400	990	990	27			2734	3076
60	43.0	43.0	1.1	N/A	150	8045	9220
1500	1092	1092	28			3650	4183
64	48.0	48.0	1.16	N/A	150	10995	12855
1600	1219	1219	29			4989	5833



SUZHOU EVERFORTUNE IMP. & EXP.CO.LTD  
MR. NI ZHEN YU

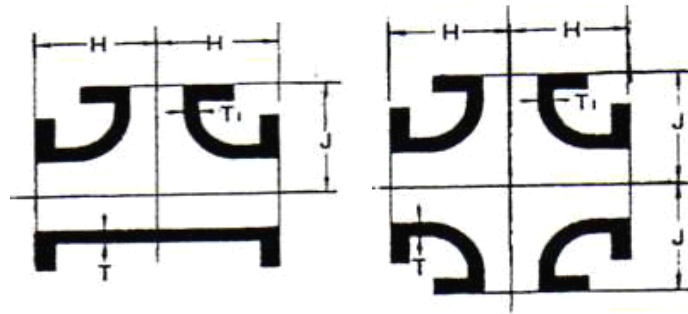
TEL: 0086-512-68620273; FAX:0086-512-68625516/68625626

[www.pipingchina.com](http://www.pipingchina.com)

# Ductile Iron & Cast Iron Fittings

•ANSI/AWWAC110

3" - 64" Ductile Iron/Cast Iron Flange Joint Fittings,Class150-250



## REDUCING TEES & CROSSES

SIZE	H	J	T	T1	PRESSURE		WEIGHT(IP/KG)	
					RATING GREY CAST IRON	CLASS DUCTILE IRON	TEE	CROSS
3×2	5.5	5.5	.48	.31			35	45
80×50	139	139	12	7	250	250	16	20
4×2	6.5	6.5	.52	.31			50	60
100×50	165	165	13	7	250	250	20	27
4×2-1/2	6.5	6.5	.52	.31			55	
100×65	165	165	13	7	250	250	25	
4×3	6.5	6.5	.52	.48			60	70
100×80	165	165	13	12	250	250	27	32
6×2	8.0	8.0	.55	.31			85	
150×50	203	203	14	7	250	250	38	
6×3	8.0	8.0	.55	.48			85	95
150×80	203	203	14	12	250	250	38	43
6×4	8.0	8.0	.55	.52			90	110
150×100	203	203	14	13	250	250	41	50
8×4	9.0	9.0	.60	.52			140	155
200×100	229	229	15	13	250	250	63	70
8×6	9.0	9.0	.60	.55			145	165
200×150	229	229	15	14	250	250	66	75
10×4	11.0	11.0	.68	.52			205	220
250×100	279	279	17	13	250	250	93	100
10×6	11.0	11.0	.68	.55			215	240
250×150	279	279	17	14	250	250	97	109
10×8	11.0	11.0	.68	.60			225	265
250×200	279	279	17	15	250	250	102	120
12×4	12.0	12.0	.75	.52			290	310
300×100	305	305	19	13	250	250	131	141
12×6	12.5	12.0	.75	.55			295	320
300×150	305	305	19	14	250	250	134	145
12×8	12.0	12.0	.75	.60			310	345
300×200	305	305	19	15	250	250	141	156
12×10	12.0	12.0	.87	.80			360	415
300×250	305	305	22	20	250	250	163	188
14×6	14.0	14.0	.66	.55			375	400
350×150	356	356	17	14	150	250	170	181
14×8	14.0	14.0	.66	.60			390	425
350×200	356	356	17	15	150	250	177	193
14×10	14.0	14.0	.66	.68			400	460
350×250	356	356	17	17	150	250	181	209



SUZHOU EVERFORTUNE IMP. & EXP.CO.LTD  
MR. NI ZHEN YU

www.pipingchina.com  
TEL: 0086-512-68620273; FAX:0086-512-68625516/68625626

# Ductile Iron & Cast Iron Fittings

•ANSI/AWWAC110

3" - 64" Ductile Iron/Cast Iron Flange Joint Fittings,Class150-250

## REDUCING TEES & CROSSES

SIZE	H	J	T	T1	PRESSURE		WEIGHT(IP/KG)	
					RATING GREY CAST IRON	CLASS DUCTILE IRON	TEE	CROSS
14×12	14.0	14.0	.66	.75			425	505
350×300	356	356	17	19	250	250	193	229
16×6	15.0	15.0	.70	.55			465	490
400×150	381	381	18	14	250	250	211	222
16×8	15.0	15.0	.70	.60			476	520
400×200	381	381	18	15	250	250	215	236
16×10	15.0	15.0	.70	.68			495	555
400×250	381	381	18	17	250	250	224	252
16×12	15.0	15.0	.70	.75			520	605
400×300	381	381	18	19	250	250	236	274
16×14	15.0	15.0	.70	.66			530	620
400×350	381	381	18	17	250	250	240	281
18×6	13.0	15.5	.75	.55			480	505
450×150	330	394	19	14	150	250	218	229
18×8	13.0	15.5	.75	.60			495	535
450×200	330	394	19	15	150	250	224	243
18×10	13.0	15.5	.75	.68			510	560
450×250	330	394	19	17	150	250	231	254
18×12	13.0	15.5	.75	.75			535	610
450×300	330	394	19	19	150	250	243	277
18×14	13.0	16.5	.75	.66			630	720
450×350	419	419	19	17	150	250	286	326
18×16	16.5	16.5	.75	.70			650	765
450×400	419	419	19	18	150	250	295	347
20×6	14.0	17.0	.80	.55			610	635
500×150	356	432	20	14	150	250	277	288
20×8	14.0	17.0	.80	.60			620	665
500×200	356	432	20	15	150	250	281	302
20×10	14.0	17.0	.80	.68			635	685
500×250	356	432	20	17	150	250	288	311
20×12	14.0	17.0	.80	.75			660	735
500×300	356	432	20	19	150	250	299	333
20×14	14.0	17.0	.80	.66			665	745
500×350	356	432	20	17	150	250	302	338
20×16	18.0	18.0	.80	.70			810	915
500×400	457	457	20	18	150	250	367	415
20×18	18.0	18.0	.80	.75			820	945
500×450	457	457	20	19	150	250	372	429
24×6	15.0	19.0	.89	.55			845	875
600×150	381	483	23	14	150	250	383	397
24×8	15.0	19.0	.89	.60			860	895
600×200	381	483	23	15	150	250	390	406
24×10	15.0	19.0	.89	.68			880	930
600×250	381	483	23	17	150	250	399	422
24×12	15.0	19.0	.89	.75			890	960
600×300	381	483	23	19	150	250	404	435
24×14	15.0	19.0	.89	.66			900	975
600×350	381	483	23	17	150	250	408	442



SUZHOU EVERFORTUNE IMP. & EXP.CO.LTD  
MR. NI ZHEN YU

www.pipingchina.com  
TEL: 0086-512-68620273; FAX:0086-512-68625516/68625626



# Ductile Iron & Cast Iron Fittings

•ANSI/AWWAC110

3" - 64" Ductile Iron/Cast Iron Flange Joint Fittings,Class150-250

## REDUCING TEES & CROSSES

SIZE	H	J	T	T1	PRESSURE		WEIGHT(IP/KG)	
					RATING GREY CAST IRON	CLASS DUCTILE IRON	TEE	CROSS
24×16	15.0	19.0	.89	.70			915	1010
600×400	381	483	23	18	150	250	415	458
24×18	22.0	22.0	.89	.75			1220	1365
600×450	559	559	23	19	150	250	553	619
24×20	22.0	22.0	.89	.80			1255	1430
600×500	559	559	23	20	150	250	569	649
30×12	18.0	23.0	1.03	.75			1490	1565
750×300	457	584	26	19	150	250	676	710
30×14	18.0	23.0	1.03	.66			1490	1570
750×350	457	584	26	17	150	250	676	712
30×16	18.0	23.0	1.03	.70			1505	1605
750×400	457	584	26	18	150	250	683	728
30×18	18.0	23.0	1.03	.75			1515	1615
750×450	457	584	26	19	150	250	687	732
30×20	18.0	23.0	1.03	.80			1540	1670
750×500	457	584	26	20	150	250	698	757
30×24	25.0	25.0	1.03	.89			2025	2245
750×600	635	635	26	23	150	250	918	1018
36×12	20.0	26.0	1.15	.75			2170	2240
900×300	457	584	29	19	150	250	985	1016
36×14	20.0	26.0	1.15	.66			2175	2240
900×350	508	660	29	17	150	250	986	1016
36×16	20.0	26.0	1.15	.70			2185	2270
900×400	508	660	29	18	150	250	991	1030
36×18	20.0	26.0	1.15	.75			2190	2280
900×450	508	660	29	19	150	250	993	1034
36×20	20.0	26.0	1.15	.80			2210	2325
900×500	508	660	29	20	150	250	1002	1055
36×24	20.0	26.0	1.15	.89			2255	2405
900×600	508	660	29	23	150	250	1023	1091
36×30	28.0	28.0	1.15	1.03			3000	3300
900×750	711	711	29	26	150	250	1361	1497
42×12	23.0	30.0	1.28	.75			3165	3240
1000×300	584	762	32	19	150	250	1436	1470
42×14	23.0	30.0	1.28	.66			3170	3240
1000×350	584	762	32	17	150	250	1438	1470
42×16	23.0	30.0	1.28	.70			3180	3270
1000×400	584	762	32	18	150	250	1442	1483
42×18	23.0	30.0	1.28	.75			3180	3275
1000×450	584	762	32	19	150	250	1442	1485
42×20	23.0	30.0	1.28	.80			3205	3320
1000×500	584	762	32	20	150	250	1454	1506
42×24	23.0	30.0	1.28	.89			3245	3395
1000×600	584	762	32	23	150	250	1472	1540
42×30	31.0	31.0	1.28	1.03			4125	4375
1000×750	787	787	32	26	150	250	1871	1984
42×36	31.0	31.0	1.28	1.15			4265	4655
1000×900	787	787	32	29	150	250	1935	2111



SUZHOU EVERFORTUNE IMP. & EXP.CO.LTD  
MR. NI ZHEN YU

[www.pipingchina.com](http://www.pipingchina.com)

TEL: 0086-512-68620273; FAX:0086-512-68625516/68625626

# Ductile Iron & Cast Iron Fittings

•ANSI/AWWAC110

3" - 64" Ductile Iron/Cast Iron Flange Joint Fittings,Class150-250

## REDUCING TEES & CROSSES

SIZE	H	J	T	T1	PRESSURE		WEIGHT(IP/KG)	
					RATING GREY CAST IRON	CLASS DUCTILE IRON	TEE	CROSS
48×12 1200×300	26.0 660	34.0 864	1.42 36	.75 19	150	250	4315 1957	4390 1991
48×14 1200×350	26.0 660	34.0 864	1.42 36	.66 17	150	250	4315 1957	4385 1989
48×16 1200×400	26.0 660	34.0 864	1.42 36	.70 18	150	250	4330 1964	4415 2003
48×18 1200×450	26.0 660	34.0 864	1.42 36	.75 19	150	250	4330 1964	4420 2005
48×20 1200×500	26.0 660	34.0 864	1.42 36	.80 20	n/a	250	4350 1973	4460 2023
48×24 1200×600	26.0 660	34.0 864	1.42 36	.89 23	150	250	4385 1989	4535 2057
48×30 1200×750	26.0 660	34.0 864	1.42 36	1.03 26	150	250	4455 2021	4670 2118
48×36 1200×900	34.0 864	34.0 864	1.42 36	1.15 29	150	250	5555 2520	5880 2667
48×42 1200×1000	34.0 864	34.0 864	1.42 36	1.28 32	150	250	5720 2594	6215 2819
54×30 1400×750	31.0 790	37.0 940	1.05 26	.72 18.3	150	250	4615 2094	4800 2178
54×36 1400×900	31.0 790	37.0 940	1.05 26	.77 19.5	150	250	4695 2130	4950 2264
54×42 1400×1000	39.0 990	39.0 990	1.05 26	.88 22	150	250	5740 2604	6210 2817
54×48 1400×1200	39.0 990	39.0 990	1.05 26	.94 24	150	250	5850 2654	6425 2915
60×36 1500×900	39.0 990	42.0 1000	1.1 28	.77 19.5	150	250	6015 2729	6330 2872
60×42 1500×1000	33.0 840	43.0 1090	1.1 28	.88 22	150	250	7380 3348	7885 3578
60×48 1500×1200	43.0 1090	43.0 1090	1.1 28	.94 26	150	250	7490 3398	8105 3677
60×54 1500×1400	43.0 1090	43.0 1090	1.1 28	1.05 29	150	250	7665 3477	8450 3834
64×36 1600×900	32.0 815	44.0 1120	1.16 29.5	.77 19.5	150	250	7320 3340	7610 3453
64×42 1600×1000	48.0 1200	45.0 1150	1.16 36	.88 22	150	250	9610 4360	10085 4576
64×48 1600×1200	48.0 1200	45.0 1150	1.16 29.5	.94 24	150	250	9710 4406	10275 4662
64×54 1600×1400	48.0 1200	46.0 1170	1.16 29.5	1.05 26	150	250	9915 4499	10690 4850
64×60 1600×1500	18.0 1200	46.0 1170	1.16 29.5	1.1 28	150	250	10285 4667	11430 5186



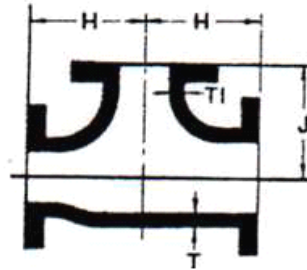
SUZHOU EVERFORTUNE IMP. & EXP.CO.LTD  
MR. NI ZHEN YU

www.pipingchina.com  
TEL: 0086-512-68620273; FAX:0086-512-68625516/68625626

# Ductile Iron & Cast Iron Fittings

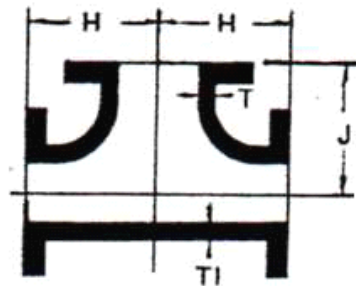
•ANSI/AWWAC110

3" - 64" Ductile Iron/Cast Iron Flange Joint Fittings,Class150-250



## REDUCING TEE

SIZE	H	J	T	T1	PRESSURE		WEIGHT (IP/KG)
					RATING GREY CAST IRON	CLASS DUCTILE IRON	
6×4×4	8.0	8.0	.55	.52	250	250	90
150×100×100	203	203	14	13			41
6×4×6	8.0	8.0	.55	.52	250	250	95
150×100×150	203	203	14	13			41
8×6×4	9.0	9.0	.60	.55	250	250	125
200×150×100	229	229	15	14			56
8×6×6	9.0	9.0	.60	.55	250	250	145
200×150×150	229	229	15	14			65
8×6×8	9.0	9.0	.60	.55	250	250	160
200×150×200	229	229	15	14			72



## BULLHEADTEE

SIZE	H	J	T	T1	PRESSURE		WEIGHT (IP/KG)
					RATING GREY CAST IRON	CLASS DUCTILE IRON	
4×4×6	8.0	8.0	.52	.55	250	250	88
100×100×150	203	203	13	14			41
6×6×8	9.0	9.0	.55	.60	250	250	142
150×150×200	229	229	14	15			63
8×8×10	10.0	11.0	.60	.68	250	250	240
200×200×250	279	279	15	31			108
10×10×12	12.0	12.0	.80	.87	250	250	340
250×250×300	305	305	36	41			154



SUZHOU EVERFORTUNE IMP. & EXP.CO.LTD  
MR. NI ZHEN YU

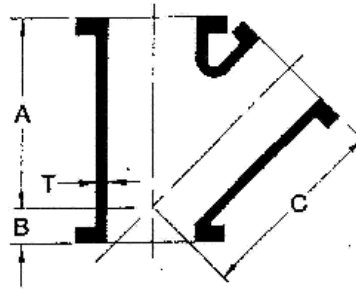
TEL: 0086-512-68620273; FAX:0086-512-68625516/68625626

[www.pipingchina.com](http://www.pipingchina.com)

# Ductile Iron & Cast Iron Fittings

•ANSI/AWWAC110

3" - 64" Ductile Iron/Cast Iron Flange Joint Fittings,Class150-250



## LATERAL 45°

SIZE	A	B	C	T	PRESSURE		WEIGHT (IP/KG)
					RATING GREY CAST IRON	CLASS DUCTILE IRON	
3	10.0	3.0	10.0	.48			45
80	254	76	254	12	250	250	20
4	12.0	3.0	12.0	.52			75
100	305	76	305	13	250	250	34
6	14.5	3.5	14.5	.55			120
150	368	89	368	14	250	250	54
8	17.5	4.5	17.5	.60			200
200	444	114	444	15	250	250	91
10	20.5	5.0	20.5	.80			335
250	521	127	521	20	250	250	152
12	24.5	5.5	24.5	.87			515
300	622	140	622	22	250	250	234
14	27.0	6.0	27.0	.66			605
350	686	152	686	17	N/A	250	274
16	30.0	6.5	30.0	.70			805
400	762	165	762	15	N/A	250	365
15	32.0	7.0	32.0	.75			980
450	813	178	813	19	N/A	250	444
20	35.0	8.0	35.0	.80			1265
500	889	203	889	20	N/A	250	574
24	40.5	9.0	40.5	.89			1905
600	1029	229	1029	23	N/A	250	864
30	49.0	10.0	49.0	1.03			3225
750	1245	254	1245	26	N/A	250	1463
36	60.0	19.5	60.0	1.15			5740
900	1524	495	1524	29	N/A	250	2604
42	68.5	21.0	68.5	1.28			6620
1000	1740	533	1740	32	N/A	150	3003
48	77.0	22.5	77.0	1.42			7380
1200	1956	571	1956	36	N/A	150	3347



SUZHOU EVERFORTUNE IMP. & EXP.CO.LTD  
MR. NI ZHEN YU

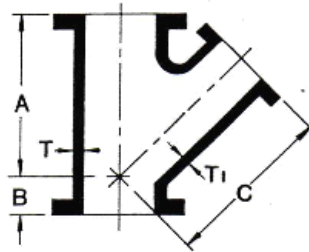
TEL: 0086-512-68620273; FAX:0086-512-68625516/68625626

[www.pipingchina.com](http://www.pipingchina.com)

# Ductile Iron & Cast Iron Fittings

•ANSI/AWWAC110

## 3" - 64" Ductile Iron/Cast Iron Flange Joint Fittings,Class150-250



### REDUCING LATERAL 45°

SIZE	A	B	C	T	T1	PRESSURE		WEIGHT (IP/KG)
						RATING GREY CAST IRON	CLASS DUCTILE IRON	
4×3	12.0	3.0	12.0	.52	.48	250	250	65
100×80	305	76	305	13	12			29
6×3	14.5	3.5	14.5	.55	.48	250	250	100
150×80	368	89	368	14	12			45
6×4	14.5	3.6	14.5	.55	.52	250	250	105
150×100	368	89	368	14	13			48
8×4	17.5	4.5	17.5	.60	.52	250	250	165
200×100	444	114	444	15	13			75
8×6	17.5	4.5	17.5	.60	.55	250	250	175
200×150	444	114	444	15	14			79
10×4	20.5	5.0	20.5	.68	.52	250	250	235
250×100	521	127	521	17	13			106
10×6	20.5	5.0	20.5	.68	.55	250	250	250
250×150	521	127	521	17	14			113
10×8	20.5	5.0	20.5	.68	.60	250	250	270
250×200	521	127	521	17	15			122
12×4	24.5	5.5	24.5	.75	.52	250	250	350
300×100	622	140	622	19	13			159
12×6	24.5	5.5	24.5	.75	.55	250	250	365
300×150	622	140	622	19	14			165
12×8	24.5	5.5	24.5	.75	.60	250	250	390
300×200	622	140	622	19	14			177
12×10	24.5	5.5	24.5	.87	.80	250	250	470
300×250	622	140	622	22	20			213
14×6	27.0	6.0	27.0	.66	.55	N/A	250	475
350×150	686	152	686	17	14			215
14×8	27.0	6.0	27.0	.66	.60	N/A	250	500
350×200	686	152	686	17	15			227
14×10	27.0	6.0	27.0	.68	.66	N/A	250	525
350×250	686	152	686	17	17			238
14×12	27.0	6.0	27.0	.66	.75	N/A	250	570
350×300	686	152	686	17	19			258
16×6	30.0	6.5	30.0	.70	.55	N/A	250	620
400×150	762	165	762	18	14			281
16×8	30.0	6.5	30.0	.70	.60	N/A	250	645
400×200	762	165	762	18	15			292
16×10	30.0	6.5	30.0	.70	.68	N/A	250	675
400×250	762	165	762	15	17			306
16×12	30.0	6.5	30.0	.70	.75	N/A	250	715
400×300	762	165	762	15	19			324



SUZHOU EVERFORTUNE IMP. & EXP.CO.LTD  
MR. NI ZHEN YU

TEL: 0086-512-68620273; FAX:0086-512-68625516/68625626

[www.pipingchina.com](http://www.pipingchina.com)

# Ductile Iron & Cast Iron Fittings

•ANSI/AWWAC110

## 3" - 64" Ductile Iron/Cast Iron Flange Joint Fittings,Class150-250

### REDUCING LATERAL 45°

SIZE	A	B	C	T	T1	PRESSURE		WEIGHT (IP/KG)
						RATING GREY CAST IRON	CLASS DUCTILE IRON	
16×14	30.0	6.5	30.0	.70	.66			755
400×350	762	165	762	15	17	N/A	250	342
18×6	32.0	7.0	32.0	.75	.55			755
450×150	813	178	813	19	14	N/A	250	342
18×8	32.0	7.0	32.0	.75	.60			780
450×200	813	178	813	19	15	N/A	250	354
18×10	32.0	7.0	32.0	.75	.68			510
450×250	813	178	813	19	17	N/A	250	367
18×12	32.0	7.0	32.0	.75	.75			850
450×300	813	178	813	19	19	N/A	250	385
18×14	32.0	7.0	32.0	.75	.66			885
450×350	813	178	813	19	17	N/A	250	401
18×16	32.0	7.0	32.0	.75	.70			935
450×400	813	178	813	19	18	N/A	250	424
20×8	35.0	8.0	35.0	.80	.60			995
500×200	889	203	889	20	15	N/A	250	451
20×10	35.0	8.0	35.0	.80	.68			1025
500×250	889	203	889	20	17	N/A	250 465	
20×12	35.0	8.0	35.0	.80	.75			1065
500×300	889	203	889	20	19	N/A	250	48
20×14	35.0	8.0	36.0	.80	.66			1110
500×350	889	203	889	20	17	N/A	250	603
20×16	35.0	8.0	36.0	.80	.70			1155
500×400	889	203	889	20	15	N/A	250	524
20×18	35.0	8.0	35.0	.80	.75			1200
500×450	889	203	889	20	19	N/A	250	544
24×8	40.5	9.0	40.5	.89	.60			1470
600×200	1029	229	1029	23	15	N/A	250	667
24×10	40.5	9.0	40.5	.89	.68			1505
600×250	1029	229	1029	23	17	N/A	250	683
24×12	40.5	9.0	40.5	.89	.75			1550
600×300	1029	229	1029	23	19	N/A	250	703
24×14	40.5	9.0	40.5	.89	.66			1590
600×350	1029	229	1029	23	17	N/A	250	721
24×16	40.5	9.0	40.5	.89	.70			1640
600×400	1029	229	1029	23	18	N/A	250	744
24×18	40.5	9.0	40.5	.89	.75			1685
600×450	1029	229	1029	23	19	N/A	250	764
24×20	40.5	9.0	40.5	.89	.80			1750
600×500	1029	229	1029	23	20	N/A	250	794
30×12	489.0	10.0	49.0	1.03	.75			2545
750×300	1245	254	1245	26	19	N/A	250	1154
30×14	49.0	10.0	49.0	1.03	.66			2590
750×350	1245	254	1245	26	17	N/A	250	1175
30×16	49.0	10.0	49.0	1.03	.70			2645
750×400	1245	254	1245	26	18	N/A	250	1200
30×18	49.0	10.0	49.0	1.03	.75			2690
750×450	1245	254	1245	26	19	N/A	250	1220
30×20	49.0	10.0	49.0	1.03	.80			2760
750×500	1245	254	1245	26	20	N/A	250	1252



SUZHOU EVERFORTUNE IMP. & EXP.CO.LTD  
MR. NI ZHEN YU

www.pipingchina.com  
TEL: 0086-512-68620273; FAX:0086-512-68625516/68625626

# Ductile Iron & Cast Iron Fittings

•ANSI/AWWAC110

## 3" - 64" Ductile Iron/Cast Iron Flange Joint Fittings,Class150-250

### REDUCING LATERAL 45°

SIZE	A	B	C	T	T1	PRESSURE		WEIGHT (IP/KG)
						RATING GREY CAST IRON	CLASS DUCTILE IRON	
30×24	49.0	10.0	49.0	1.03	.89	N/A	250	2915
750×600	1245	254	1245	26	23			1322
36×12	60.	19.5	60.0	1.15	.75	N/A	250	4490
900×300	1524	495	1524	29	19			2037
36×14	60.0	19.5	60.0	1.15	.66	N/A	250	4545
900×350	1524	495	1524	29	17			2062
36×16	60.0	19.5	60.0	1.15	.70	N/A	250	4610
900×400	1524	495	1524	29	18			2091
36×18	60.0	19.5	60.5	1.15	.75	N/A	250	4670
900×450	1524	495	1524	29	19			2118
36×20	60.0	19.5	60.0	1.15	.80	N/A	250	4750
900×500	1524	495	1524	29	20			2155
36×24	60.0	19.5	60.0	1.15	.89	N/A	250	4920
900×600	1524	495	1524	29	23			2232
36×30	60.0	19.5	60.0	1.15	1.03	N/A	250	5255
900×750	1524	495	1524	29	26			2384
42×12	68.5	21.0	68.5	1.28	.75	N/A	250	4585
1000×300	1740	533	1740	32	19			2080
42×14	68.5	21.0	68.5	1.28	.66	N/A	250	4615
1000×350	1740	533	1740	32	17			2093
42×16	68.5	21.0	68.5	1.28	.70	N/A	250	4675
1000×400	1740	533	1740	32	18			2120
42×18	68.5	21.0	68.5	1.28	.75	N/A	250	4040
1000×450	1740	533	1740	32	19			2150
42×20	68.5	21.0	68.5	1.28	.80	N/A	250	4835
1000×500	1740	533	1740	32	20			2193
42×24	68.5	21.0	68.5	1.28	.89	N/A	250	5050
1000×600	1740	533	1740	32	23			2291
42×30	68.5	21.0	68.5	1.28	1.03	N/A	250	5490
1000×750	1740	533	1740	32	26			2490
42×36	68.5	21.0	68.5	1.28	1.15	N/A	250	6325
1000×900	1740	533	1740	32	29			2869
48×12	77.0	22.5	77.0	1.42	.75	N/A	250	5090
1200×300	1956	571	1956	36	19			2309
48×14	77.0	22.5	77.0	1.42	.66	N/A	250	5120
1200×350	1956	571	1956	36	17			2322
48×16	77.0	22.5	77.0	1.42	.70	N/A	250	5190
1200×400	1956	571	1956	36	18			2354
48×18	77.0	22.5	77.0	1.42	.75	N/A	250	5250
1200×450	1956	571	1956	36	19			2381
48×20	77.0	22.5	77.0	1.42	.80	N/A	250	5340
1200×500	1956	571	1956	36	20			2422
48×24	77.0	22.5	77.0	1.42	.89	N/A	250	5555
1200×600	1956	571	1956	36	23			2520
48×30	77.0	22.5	77.0	1.42	1.03	N/A	250	5995
1200×750	1956	571	1956	36	26			2719
48×36	77.0	22.5	77.0	1.42	1.16	N/A	250	6830
1200×900	1956	571	1956	36	29			3098
48×42	77.0	22.5	77.0	1.42	1.28	N/A	250	7125
1200×1000	1956	571	1956	36	32			3232



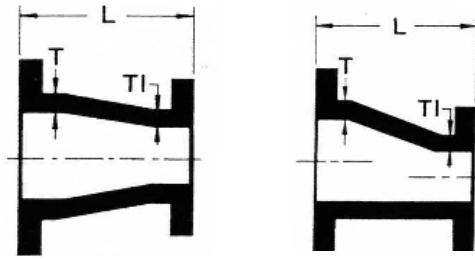
SUZHOU EVERFORTUNE IMP. & EXP.CO.LTD  
MR. NI ZHEN YU

www.pipingchina.com  
TEL: 0086-512-68620273; FAX:0086-512-68625516/68625626

# Ductile Iron & Cast Iron Fittings

•ANSI/AWWAC110

3" - 64" Ductile Iron/Cast Iron Flange Joint Fittings,Class150-250



## CONCENTRIC & ECCENTRIC REDUCERS

SIZE	L	T	T1	PRESSURE		WEIGHT (IP/KG)
				RATING GREY CAST IRON	CLASS DUCTILE IRON	
3×2	6	.48	.31	250	250	16
80×50	152	12	7			7
3×2-1/2	6	.48	.31	250	250	20
80×65	152	12	7			9
4×2	7	.52	.31	250	250	25
100×50	178	13	7			11
4×2-1/2	7	.52	.31	250	250	28
100×65	178	13	7			12
4×3	7	.52	.48	250	250	30
100×80	178	13	12			14
6×2	9	.55	.31	250	250	35
150×50	229	14	7			16
6×2-1/2	9	.55	.31	250	250	38
150×65	229	14	7			17
6×3	9	.55	.48	250	250	40
150×80	229	14	12			18
6×4	9	.55	.52	250	250	45
150×100	229	14	13			20
6×5	9	.55	.52	250	250	50
150×130	229	14	13			22
8×4	11	.60	.52	250	250	65
200×100	279	15	13			29
8×5	11	.60	.52	250	250	70
200×130	279	15	13			31
8×6	11	.60	.55	250	250	75
200×150	279	15	14			34
10×4	12	.68	.52	250	250	85
250×100	305	17	13			38
10×6	12	.68	.55	250	250	90
250×150	305	17	14			41
10×8	12	.68	.60	250	250	110
250×200	305	17	15			50
12×4	14	.75	.52	250	250	120
300×100	356	19	13			54
12×6	14	.75	.55	250	250	130
300×150	356	19	14			59
12×8	14	.75	.60	250	250	145
300×200	356	19	15			66
12×10	14	.75	.68	250	250	170
300×250	356	19	17			77



SUZHOU EVERFORTUNE IMP. & EXP.CO.LTD  
MR. NI ZHEN YU

[www.pipingchina.com](http://www.pipingchina.com)

TEL: 0086-512-68620273; FAX:0086-512-68625516/68625626



# Ductile Iron & Cast Iron Fittings

•ANSI/AWWAC110

3" - 64" Ductile Iron/Cast Iron Flange Joint Fittings,Class150-250

## CONCENTRIC & ECCENTRIC REDUCERS

SIZE	T	T1	PRESSURE		WEIGHT (IP/KG)
			RATING GREY CAST IRON	CLASS DUCTILE IRON	
14×6	16	.66			155
350×150	406	17	150	250	70
14×8	16	.66			175
350×200	406	17	150	250	79
14×10	16	.66			190
350×250	406	17	150	250	86
14×12	16	.66			220
350×300	406	17	150	250	100
16×6	18	.70			190
400×150	457	18	150	250	86
16×8	18	.70			210
400×200	457	18	150	250	95
16×10	18	.70			235
400×250	457	18	150	250	106
16×12	18	.70			260
400×300	457	18	150	250	120
16×14	18	.70			280
400×350	457	18	150	250	127
18×8	19	.75			240
450×200	483	19	150	250	109
18×10	19	.75			265
450×250	483	19	150	250	120
18×12	19	.75			295
450×300	483	19	150	250	134
18×14	19	.75			310
450×350	483	19	150	250	141
18×16	19	.75			340
450×400	483	19	150	250	154
20×10	20	.80			310
500×250	508	20	150	250	141
20×12	20	.80			345
500×300	508	20	150	250	156
20×14	20	.80			355
500×350	508	20	150	250	161
20×16	20	.80			390
500×400	508	20	150	250	177
20×18	20	.80			410
500×450	508	20	150	250	186
24×12	24	.89			480
600×300	610	23	150	250	218
24×14	24	.89			490
600×350	610	23	150	250	222
24×16	24	.89			525
600×400	610	23	150	250	238
24×18	24	.89			550
600×450	610	23	150	250	249
24×20	24	.89			590
600×500	610	23	150	250	268
30×18	30	1.03			810
750×450	762	26	150	250	367



SUZHOU EVERFORTUNE IMP. & EXP.CO.LTD  
MR. NI ZHEN YU

www.pipingchina.com  
TEL: 0086-512-68620273; FAX:0086-512-68625516/68625626

# Ductile Iron & Cast Iron Fittings

•ANSI/AWWAC110

3" - 64" Ductile Iron/Cast Iron Flange Joint Fittings,Class150-250

## CONCENTRIC & ECCENTRIC REDUCERS

SIZE	L	T	T1	PRESSURE		WEIGHT (IP/KG)
				RATING GREY CAST IRON	CLASS DUCTILE IRON	
30×20	30	1.03	.80			870
750×500	762	26	20	150	250	395
30×24	30	1.03	.89			970
750×600	762	26	23	150	250	440
36×20	36	1.15	.80			1230
900×500	914	29	20	150	250	558
36×24	36	1.15	.89			1345
900×600	914	29	23	150	250	610
36×30	36	1.15	1.03			1555
900×750	914	29	26	150	250	705
42×24	42	1.28	.89			1820
1000×600	1067	32	23	150	250	825
42×30	42	1.28	1.03			2060
1000×750	1067	32	26	150	250	934
42×36	42	1.28	1.15			2345
1000×900	1067	32	29	150	250	1064
48×30	48	1.42	1.06			2625
1200×750	1219	36	26	150	250	1191
48×36	48	1.42	1.15			2950
1200×900	1219	36	29	150	250	1338
48×42	48	1.42	1.28			3320
1200×1000	1219	36	32	150	250	1506
54×30	32	.90	.61			1625
1400×900	950	23	15	N/A	150	739
54×36	28	.90	.66			1680
1400×1000	800	23	17	N/A	150	764
54×42	25	.90	.76			1800
1400×1100	750	23	19	N/A	150	818
54×48	18	.90	.80			1695
1400×1200	450	23	20	N/A	150	770
60×36	32	.94	.66			2165
1500×1000	950	24	17	N/A	150	984
60×42	26	.94	.76			2190
1500×1100	700	24	19	N/A	150	995
60×48	20	.94	.80			2110
1500×1200	500	24	20	N/A	150	959
60×54	15	.94	.90			2055
1500×1400	400	24	23	N/A	150	934
64×36	35	.99	.66			2805
1600×1000	1000	25	17	N/A	150	1275
64×42	30	.99	.76			2870
1600×1100	900	25	19	N/A	150	1305
64×48	25	.99	.80			2825
1600×1200	700	25	20	N/A	150	1285
64×54	18	.99	.90			2695
1600×1400	450	25	23	N/A	150	1225
64×60	17	.99	.94			2982
1600×1500	425	25	24	N/A	150	1355



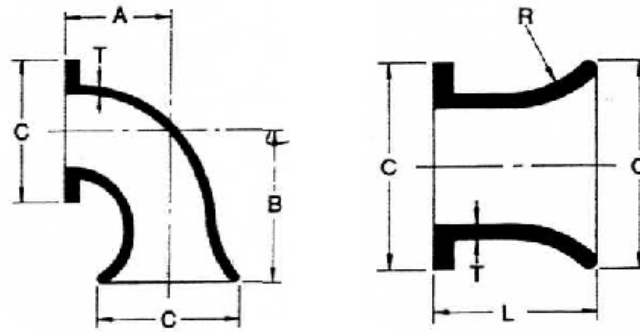
SUZHOU EVERFORTUNE IMP. & EXP.CO.LTD  
MR. NI ZHEN YU

www.pipingchina.com  
TEL: 0086-512-68620273; FAX:0086-512-68625516/68625626

# Ductile Iron & Cast Iron Fittings

•ANSI/AWWAC110

3" - 64" Ductile Iron/Cast Iron Flange Joint Fittings, Class 150-250



## FLARES STRAIGHT & STANDARD LONG RADIUS

SIZE	STRAIGHT FLARE					90°STANDARD FLARE			LONG RADIUS FLARE		
	T	C	L	R	WEIGHT (IP/KG)	A	B	WEIGHT (IP/KG)	A	B	WEIGHT (IP/KG)
3	.40	7.5	8	6	20	5.5	11	25	7.75	13.25	30
80	10	190	203	152	9	140	279	11	197	336	14
4	.40	9.0	8	6	30	6.5	12	40	9.0	14.5	50
100	10	229	203	152	14	165	305	18	229	368	23
6	.45	11.0	8	6	40	8.0	12	70	11.5	15.5	85
150	11	279	203	152	18	203	305	32	292	394	38
8	.53	13.5	10	8	70	9.0	14	110	14.0	19.0	145
200	13	343	254	203	32	229	356	50	366	483	66
10	.55	16.0	10	10	95	11.0	17	175	16.5	22.5	225
250	14	406	254	254	43	279	432	79	419	571	102
12	.60	19.0	12	12	155	12.0	18	245	19.0	25.0	330
300	15	483	305	305	70	305	457	111	483	635	150
14	.65	21.0	12	14	165	14.0	20	340	21.5	27.5	440
350	16	533	305	356	75	356	508	154	546	698	199
16	.70	23.5	16	16	240	15.0	21	460	24.0	30.0	620
400	18	597	406	406	109	381	533	209	610	762	281
18	.75	25.0	16	18	275	16.5	22.5	560	26.5	32.6	500
450	19	635	406	457	125	419	571	254	673	825	363
20	.80	27.5	18	20	356	18.0	24	700	29.0	35.0	1000
500	20	698	457	508	161	457	610	317	737	889	454
24	.90	32.0	18	24	480	22.0	28	1100	34.0	40.0	1400
600	23	813	457	610	2218	559	711	499	864	1016	635
30	1.07	38.75	24	30	1100	25.0	32	1840	41.5	48.5	2190
750	27	984	510	762	499	635	813	835	1054	1232	993
36	1.19	46.0	24	36	1460	28.0	35	2700	49.0	56.0	3465
900	30	1168	610	914	662	711	889	1225	1245	1422	1572
42	1.32	583.0	30	42	1900	31.0	38	3250	56.5	63.5	5150
1000	33	1346	762	1067	862	787	965	1474	1435	1613	2336
48	1.44	59.5	30	48	2350	34.0	41	4215	64.0	71.0	6725
1200	36	1511	762	1219	1066	864	1041	1192	1626	1803	3050



SUZHOU EVERFORTUNE IMP. & EXP.CO.LTD  
MR. NI ZHEN YU

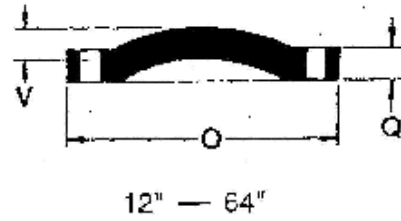
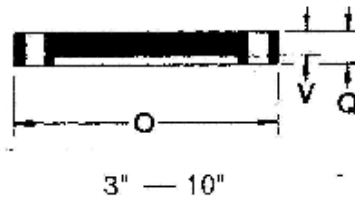
TEL: 0086-512-68620273; FAX:0086-512-68625516/68625626

[www.pipingchina.com](http://www.pipingchina.com)

# Ductile Iron & Cast Iron Fittings

•ANSI/AWWAC110

3" - 64" Ductile Iron/Cast Iron Flange Joint Fittings, Class 150-250



## BLIND FLANGES

SIZE	DIA.OFFLANGE Ø	THICKNESSOFFLANGE Q	WALLTHICKNESS V	PRESSURE RATING CLASS		
				GRAY IRON	DUCT.IRON	WEIGHT (IP/KG)
3	7.5	.75	.69			9
80	190	19	17	250	250	4
4	9.0	.94	.88			16
100	229	24	22	250	250	7
6	11.0	1.0	.94			25
150	279	25	24	250	250	11
8	13.5	1.12	1.06			42
200	343	28	27	250	250	19
10	16.0	1.19	1.12			63
250	406	30	28	250	250	28
12	19.0	1.25	.81			85
300	483	32	20	250	250	38
14	21.0	1.38	.88			120
350	533	35	22	150	250	54
16	23.5	1.44	1.0			145
400	597	36	25	150	250	66
18	15.0	1.56	1.06			185
450	635	40	27	150	250	84
20	27.5	1.69	1.12			245
500	698	43	28	150	250	111
24	32.0	1.88	1.25			370
600	813	48	32	150	250	168
30	38.75	2.12	1.44			500
750	984	54	36	150	250	227
36	46.0	2.38	1.62			790
900	1168	60	41	150	250	358
42	53.0	2.62	1.81			1175
1000	1346	66	46	150	250	533
48	59.5	2.75	2.0			1585
1200	1511	70	51	150	250	719
54	66.25	3.0	2.23			2260
1400	1700	75	57	N/A	150	1027
60	73.0	3.12	2.68			2955
1500	1900	80	68	N/A	150	1343
64	80.0	3.38	2.81			3855
1600	2050	85	72	N/A	150	1752



SUZHOU EVERFORTUNE IMP. & EXP.CO.LTD  
MR. NI ZHEN YU

TEL: 0086-512-68620273; FAX:0086-512-68625516/68625626

[www.pipingchina.com](http://www.pipingchina.com)

# Ductile Iron Fittings

•ANSI/AWWAC153

## 3" - 48" Ductile Iron Mechanical Joint Fittings,Class350

### 3" - 48" DUCTILE IRON MECHANICAL JOINT FITTINGS CLASS350

#### BASIC SPECIFICATIONS

**MATERIAL:** Ductile Iron ASTM A536

**PRESSURE RATING:** 350 PSI Water Working Pressure (CLASS 350)3" -24" ,& 250PSI 30" -48"

**TESTING:** In accordance with AWWA/ANSI C153/A21.53 & UL-FM requirements

**LAYING LENGTH:** Short body design-straightsection of body deleted to provide a compact and lighter fitting without reducing strength or flow characteristics,in accordance WithAWWA/ANSIC153/A21.53

**CEMENT LINING:** In accordance With AWWA/ANSI C104/A21.4

**COATING:** Tar coated(bituminous)inside and out in accordance with AWWA/C104/A21.4.

**GASKETS:** SBR in accordance with ANSI/AWWA C111/A21.11

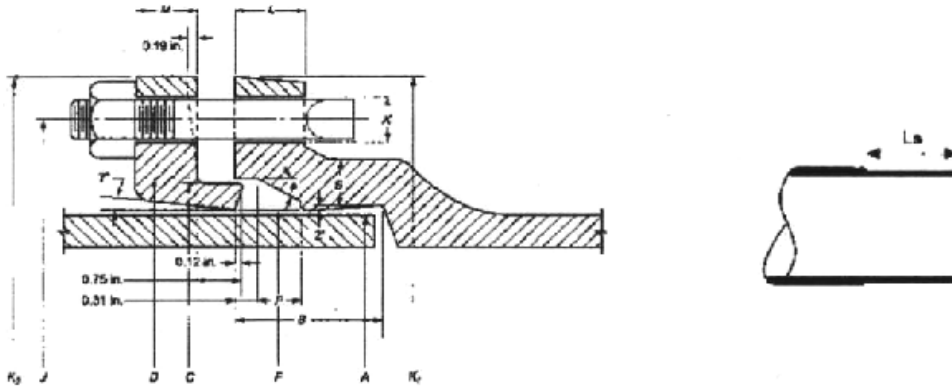
**T-BOLTS:** Low alloy corrosion resistant high strength steel in accordance with ANSI/AWWA C111/A21.11

**APPROVALS:** 3" -16" Underwriters laboratories listed and factory mutual approved

**STANDARDS:** Certified to NSF61 STANDARD

AWWA/ANSI C153/A21.53 for compact ductile Iron Fittings 3" -48" for water and other

liquids



SIZE	A	B	C	D	F	J	K <sub>1</sub>	K <sub>2</sub>	L	M	P	S	X	BOLTS			
														No.	SI ZE	LEN	LS
3	3.96	2.50	4.84	4.94	4.06	6.19	7.62	7.69	0.58	0.62	0.63	0.39	3/4	4	5/8	3.00	5.50
4	4.80	2.50	5.92	6.02	4.90	7.50	9.06	9.12	0.60	0.75	0.75	0.39	7/8	4	3/4	3.50	5.50
6	6.90	2.50	8.02	8.12	7.00	9.50	11.06	11.12	0.63	0.88	0.75	0.43	7/8	6	3/4	3.50	5.50
8	9.05	2.50	10.17	10.27	9.15	11.75	13.31	13.37	0.66	1.00	0.75	0.45	7/8	6	3/4	3.50	5.50
10	11.1	2.50	12.22	12.34	11.20	14.00	15.62	15.62	0.70	1.00	0.75	0.47	7/8	8	3/4	3.50	5.50
12	13.2	2.50	14.32	14.44	13.30	16.25	17.88	17.88	0.73	1.00	0.75	0.49	7/8	8	3/4	3.50	5.50
14	15.3	3.50	16.40	16.54	15.44	18.75	20.25	20.25	0.79	1.25	0.75	0.55	7/8	10	3/4	4.00	8.00
16	17.4	3.50	18.50	18.64	17.54	21.00	22.50	22.50	0.85	1.31	0.75	0.58	7/8	12	3/4	4.00	8.00
18	19.5	3.50	20.60	20.74	19.64	23.25	24.83	24.75	1.00	1.38	0.75	0.68	7/8	12	3/4	4.00	8.00
20	21.6	3.50	22.70	22.84	21.74	25.50	27.08	27.00	1.02	1.44	0.75	0.69	7/8	14	3/4	4.00	8.00
24	25.8	3.50	26.90	27.04	25.94	30.00	31.58	31.50	1.02	1.56	0.75	0.75	7/8	16	3/4	4.50	8.00
30	32.0	4.00	33.29	33.46	32.17	36.88	39.12	39.12	1.31	2.00	1.00	0.82	1 1/8	20	1.00	5.50	8.00
36	38.3	4.00	39.59	39.76	38.47	43.75	46.00	46.00	1.45	2.00	1.00	1.00	1 1/8	24	1.00	5.50	8.00
42	44.5	4.00	45.79	45.96	44.67	50.62	53.12	53.12	1.45	2.00	1.00	1.25	1 3/8	28	1 1/4	6.00	8.00
48	50.8	4.00	52.09	52.26	50.97	57.50	60.00	60.00	1.45	2.00	1.00	1.35	1 3/8	32	1 1/4	6.00	8.00

Weights in Pounds Dimensions in Inches

All Weights shown without accessories



SUZHOU EVERFORTUNE IMP. & EXP.CO.LTD  
MR. NI ZHEN YU

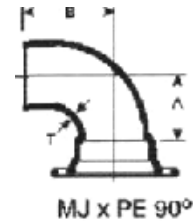
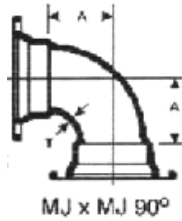
TEL: 0086-512-68620273; FAX:0086-512-68625516/68625626

[www.pipingchina.com](http://www.pipingchina.com)

# Ductile Iron Fittings

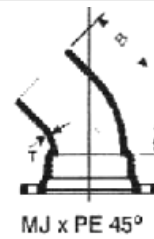
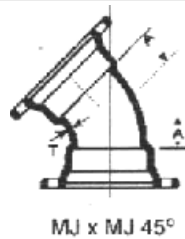
•ANSI/AWWAC153

## 3" - 48" Ductile Iron Mechanical Joint Fittings, Class350



### 90° Bends

SIZE	MJ×MJ			MJ×PE				T
	LTEM No.	WT.	A	LTEM No.	WT.	A	B	
2	DMB290	17	3.00					0.30
3	DMB390	19	3.50	DME390	16	3.25	8.50	0.33
4	DMB490	25	4.00	DME490	22	4.00	9.50	0.34
6	DMB690	39	5.00	DME690	41	5.00	11.50	0.36
8	DMB890	57	6.50	DME890	58	6.5	12.50	0.38
10	DMB1090	89	7.50	DME1090	88	7.50	13.00	0.40
12	DMB1290	108	9.00	DME1290	114	9.00	14.50	0.42
14	DMB1490	210	11.50	DME1490	211	11.50	19.50	0.47
16	DMB1690	264	12.50	DME1690	248	12.50	20.50	0.50
18	DMB1890	335	14.00	DME1890	325	14.00	21.00	0.54
20	DMB2090	400	15.00	DME2090	390	15.00	22.50	0.57
24	DMB2490	565	16.75	DME2490	575	17.00	25.00	0.61
30	DMB3090	930	21.50	DME3090	865	21.50	30.50	0.66
36	DMB3690	1450	24.50	DME3690	1355	24.50	33.50	0.74
42	DMB4290	2205	29.25	DME4290	2055	29.25	38.25	0.82
48	DMB4890	2990	33.25	DME4890	2805	33.25	42.25	0.90



### 45° Bends

SIZE	MJ×MJ			MJ×PE				T
	LTEM No.	WT.	A	LTEM No.	WT.	A	B	
2	DMB245	10	1.50					0.30
3	DMB345	16	1.50	DME345	13	1.50	7.00	0.33
4	DMB445	22	2.00	DME445	19	2.00	7.75	0.34
6	DMB645	32	3.00	DME645	34	3.00	8.50	0.36
8	DMB845	46	3.50	DME845	49	3.50	9.00	0.38
10	DMB1045	70	4.50	DME1045	70	4.50	10.00	0.40
12	DMB1245	86	5.50	DME1245	93	5.50	11.00	0.42
14	DMB1445	160	5.00	DME1445	146	5.00	13.00	0.47
16	DMB1645	202	5.50	DME1645	212	5.50	13.50	0.50
18	DMB1845	250	6.00	DME1845	235	6.00	13.00	0.54
20	DMB2045	305	7.00	DME2045	290	7.00	14.00	0.57
24	DMB2445	405	7.50	DME2445	390	7.50	14.50	0.61
30	DMB3045	780	10.50	DME3045	715	10.50	19.50	0.66
36	DMB3645	1135	11.50	DME3645	1040	12.00	21.00	0.74
42	DMB4245	1610	14.00	DME4245	1460	14.00	23.00	0.82
48	DMB4845	2090	15.00	DME4845	1905	15.00	24.00	0.90



SUZHOU EVERFORTUNE IMP. & EXP.CO.LTD  
MR. NI ZHEN YU

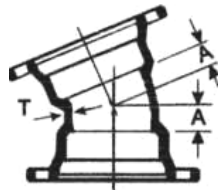
[www.pipingchina.com](http://www.pipingchina.com)

TEL: 0086-512-68620273; FAX:0086-512-68625516/68625626

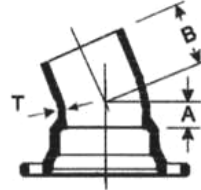
# Ductile Iron Fittings

•ANSI/AWWAC153

## 3" - 48" Ductile Iron Mechanical Joint Fittings,Class350



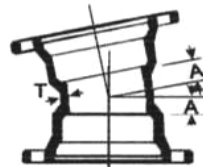
MJ x MJ 22½°



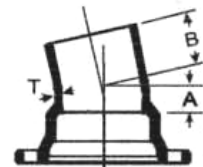
MJ x PE 22½°

### 22.5° Bends

SIZE	MJ×MJ			MJ×PE				T
	LTEM No.	WT.	A	LTEM No.	WT.	A	B	
3	DMB322	15	1.00	DME322	12	1.00	6.50	0.33
4	DMB422	18	1.50	DME422	18	1.50	7.00	0.34
6	DMB622	31	2.00	DME622	29	2.00	7.50	0.36
8	DMB822	46	2.50	DME822	45	2.50	8.00	0.38
10	DMB1022	64	3.00	DME1022	61	3.00	8.50	0.40
12	DMB1222	80	3.50	DME1222	79	3.50	9.00	0.42
14	DMB1422	136	3.75	DME1422	133	3.75	11.25	0.47
16	DMB1622	172	3.75	DME1622	166	3.75	11.75	0.50
18	DMB1822	255	4.50	DME1822	235	6.00	13.00	0.54
20	DMB2022	310	4.50	DME2022	300	7.00	14.00	0.57
24	DMB2422	412	4.50	DME2422	395	7.50	14.50	0.61
30	DMB3022	665	6.75	DME3022	600	6.75	15.75	0.66
36	DMB3622	960	7.75	DME3622	865	7.75	16.75	0.74
42	DMB4222	1350	9.00	DME4222	1200	9.00	18.00	0.82
48	DMB4822	1760	10.00	DME4822	1575	10.00	19.00	0.90



MJ x MJ 11¼°



MJ x PE 11¼°

### 11.25° Bends

SIZE	MJ×MJ			MJ×PE				T
	LTEM No.	WT.	A	LTEM No.	WT.	A	B	
3	DMB311	14	1.00	DME311	12	1.00	6.50	0.33
4	DMB411	16	1.25	DME411	17	1.25	6.25	0.34
6	DMB611	30	1.50	DME611	27	1.50	7.00	0.36
8	DMB811	42	1.75	DME811	39	1.75	7.25	0.38
10	DMB1011	58	2.00	DME1011	52	2.00	7.50	0.40
12	DMB1211	67	2.25	DME1211	69	2.25	7.75	0.42
14	DMB1411	93	2.50	DME1411	118	2.50	10.50	0.47
16	DMB1611	148	2.50	DME1611	136	2.50	10.50	0.50
18	DMB1811	216	3.00	DME1811	235	6.00	13.00	0.54
20	DMB2011	257	3.00	DME2011	300	7.00	14.00	0.57
24	DMB2411	337	3.00	DME2411	400	7.50	14.50	0.61
30	DMB3011	600	4.75	DME3011	535	4.75	13.75	0.66
36	DMB3611	820	5.00	DME3611	725	5.00	14.00	0.74
42	DMB4211	1180	6.00	DME4211	1030	6.00	15.00	0.82
48	DMB4811	1475	6.50	DME4811	1290	6.50	15.50	0.90



SUZHOU EVERFORTUNE IMP. & EXP.CO.LTD  
MR. NI ZHEN YU

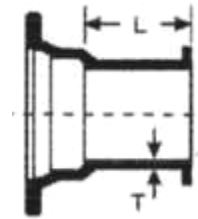
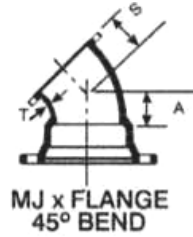
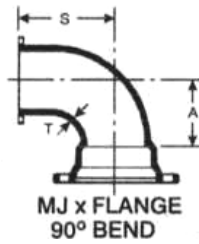
TEL: 0086-512-68620273; FAX:0086-512-68625516/68625626

[www.pipingchina.com](http://www.pipingchina.com)

# Ductile Iron Fittings

•ANSI/AWWAC153

## 3" - 48" Ductile Iron Mechanical Joint Fittings, Class 350



SIZE	90° BEND: MJ×FL				45° BEND: MJ×FL				MJ×FL			T
	LTEM No.	A	S	WT.	LTEM No.	A	S	WT.	LTEM No.	L	WT.	
3	MFB390	3.50	5.50	21	MFB345	1.50	3.00	17	MFA3	3.50	18	0.33
4	MFB490	4.00	6.50	28	MFB445	2.00	4.00	34	MFA4	3.50	24	0.34
6	MFB690	5.00	8.00	46	MFB645	3.00	5.00	57	MFA6	3.50	36	0.36
8	MFB890	6.50	9.00	71	MFB845	3.50	5.50	83	MFA8	3.50	52	0.38
10	MFB1090	7.50	11.00	121	MFB1045	4.50	6.50	122	MFA10	3.50	67	0.40
12	MFB1290	9.00	12.00	155	MFB1245	5.50	7.50	159	MFA12	3.50	80	0.42
14									MFA14	5.00	126	0.47
16	MFB1690	12.50	15.00	280	MFB1645	5.50	8.00	290	MFA16	5.00	166	0.50
18									MFA18	5.00	206	0.54
20	MFB2090	15.00	18.00	441	MFB2045	7.00	9.50	338	MFA20	5.00	275	0.57
24	MFB2490	16.75	22.00	618	MFB2445	7.50	11.00	442	MFA24	5.00	324	0.61
30									MFA30	7.00	420	0.66

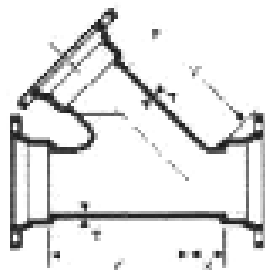
### 22.5° Bends: MJ×FLANGE

SIZE	LTEM No.	A	S	WT.	T
3	MFB322	1.00	3.00	15	0.33
4	MFB422	1.50	4.00	23	0.34
6	MFB622	2.00	5.00	37	0.36
8	MFB822	2.50	5.50	56	0.38
10	MFB1022	3.00	6.50	81	0.40
12	MFB1222	3.50	7.50	114	0.42



### 45° LATERALS

SIZE		LTEM No.	X	Y	T	T <sub>1</sub>	WT.
RUN	BRANCH						
3	3	DMY33	2.0	8.5	.34	.34	36
4	4	DMY44	2.5	9.5	.35	.35	45
6	4	DMY64	1.5	11.0	.37	.35	67
6	6	DMY66	3.0	13.0	.37	.37	93
8	4	DMY84	0.5	13.0	.39	.35	93
8	6	DMY86	2.0	14.5	.39	.37	113
8	8	DMY88	3.5	16.0	.39	.39	136
10	4	DMY104		15.0	.41	.35	118
10	6	DMY106	1.0	16.0	.41	.37	136
10	8	DMY108	2.5	17.0	.41	.39	170
10	10	DMY1010	3.5	19.0	.41	.41	199
12	4	DMY124		16.5	.43	.35	150
12	6	DMY126	1.5	18.5	.43	.37	186
12	8	DMY128	1.5	18.5	.43	.39	188
12	10	DMY1210	3.0	20.0	.43	.41	223
12	12	DMY1212	4.5	22.5	.43	.43	272



SUZHOU EVERFORTUNE IMP. & EXP.CO.LTD  
MR. NI ZHEN YU

TEL: 0086-512-68620273; FAX:0086-512-68625516/68625626

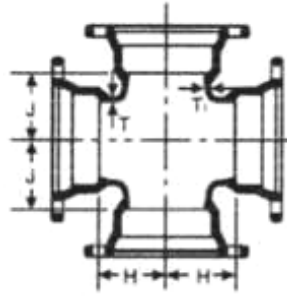
[www.pipingchina.com](http://www.pipingchina.com)



# Ductile Iron Fittings

•ANSI/AWWAC153

## 3" - 48" Ductile Iron Mechanical Joint Fittings,Class350



### SROSSES

SIZE		LTEM No.	H	J	T	T <sub>1</sub>	WT.
RUN	BRANCH						
3	3	DMC33	3.00	3.00	0.33	0.33	35
4	3	DMC43	3.50	4.00	0.34	0.33	49
4	4	DMC44	4.00	4.00	0.34	0.34	57
6	4	DMC64	4.00	5.00	0.36	0.34	68
6	6	DMC66	5.00	5.00	0.36	0.36	75
8	4	DMC84	4.00	6.50	0.38	0.34	99
8	6	DMC86	5.00	6.50	0.38	0.36	108
8	8	DMC88	6.00	6.00	0.38	0.38	105
10	3	DMC103	3.00	7.50	0.40	0.33	115
10	4	DMC104	4.00	7.50	0.40	0.34	98
10	6	DMC106	5.00	7.50	0.40	0.36	118
10	8	DMC108	6.50	7.50	0.40	0.38	138
10	10	DMC1010	7.00	7.00	0.40	0.40	145
12	4	DMC124	4.00	8.75	0.42	0.34	100
12	6	DMC126	5.00	8.75	0.42	0.36	140
12	8	DMC128	6.50	8.75	0.42	0.38	162
12	10	DMC1210	7.50	8.75	0.42	0.40	190
12	12	DMC1212	8.50	8.50	0.42	0.42	213
14	8	DMC148	8.00	10.50	0.47	0.38	259
14	14	DMC1414	10.50	10.50	0.47	0.47	299
16	6	DMC166	6.50	11.50	0.50	0.36	250
16	8	DMC168	7.50	11.50	0.50	0.38	289
16	10	DMC1610	8.50	11.50	0.50	0.40	345
16	12	DMC1612	9.50	11.50	0.50	0.42	397
16	16	DMC1616	11.50	11.50	0.50	0.50	385
20	20	DMC2020	14.00	14.00	0.57	0.57	605
24	24	DMC2424	16.00	16.00	0.61	0.61	830
30	30	DMC3030	22.00	22.00	0.66	0.66	1840
36	36	DMC3636	26.00	26.00	0.74	0.74	2655
42	42	DMC4242	30.00	30.00	0.82	0.82	3725
48	48	DMC4848	33.50	33.50	0.90	0.90	4955



SUZHOU EVERFORTUNE IMP. & EXP.CO.LTD  
MR. NI ZHEN YU

TEL: 0086-512-68620273; FAX:0086-512-68625516/68625626

[www.pipingchina.com](http://www.pipingchina.com)

# Ductile Iron Fittings

•ANSI/AWWAC153

## 3" - 48" Ductile Iron Mechanical Joint Fittings,Class350



### Tees

SIZE		MJ×MJ				MJ×FLANGE				T	T <sub>1</sub>
RUN	BRANCH	LTEM No.	WT.	H	J	LTEM No.	WT.	H	L		
2	2	DMT22	16	3.00	3.00					0.30	0.30
3	3	DMT33	28	3.00	3.00	DMF33	28	3.00	5.50	0.33	0.33
4	2	DMT42	29	3.00	4.00					0.34	0.30
4	3	DMT43	30	3.50	4.00					0.34	0.33
4	4	DMT44	32	4.00	4.00	DMF44	38	4.00	6.50	0.34	0.34
6	3	DMT63	42	3.50	5.00	DMF63	51	3.35	8.00	0.36	0.33
6	4	DMT64	46	4.00	5.00	DMF64	54	4.00	8.00	0.36	0.34
6	6	DMT66	56	5.00	5.00	DMF66	56	5.00	8.00	0.36	0.36
8	3	DMT83	52	3.50	6.50	DMF83	70	4.00	9.00	0.38	0.33
8	4	DMT84	60	4.00	6.50	DMF84	72	4.00	9.00	0.38	0.34
8	6	DMT86	72	5.00	6.50	DMF86	83	5.00	9.00	0.38	0.36
8	8	DMT88	86	6.50	6.50	DMF88	94	6.50	9.00	0.38	0.38
10	3	DMT103	75	4.00	7.50					0.40	0.33
10	4	DMT104	78	4.00	7.50	DMF104	89	4.00	11.00	0.40	0.34
10	6	DMT106	90	5.00	7.50	DMF106	107	5.00	11.00	0.40	0.36
10	8	DMT108	105	6.50	7.50	DMF108	115	6.50	11.00	0.40	0.38
10	10	DMT1010	120	7.50	7.50	DMF1010	130	7.50	11.00	0.40	0.40
12	3	DMT123	90	4.00	8.75					0.42	0.33
12	4	DMT124	94	4.00	8.75	DMF124	115	4.00	12.00	0.42	0.34
12	6	DMT126	110	5.00	8.75	DMF126	120	5.00	12.00	0.42	0.36
12	8	DMT128	125	6.50	8.75	DMF128	146	6.50	12.00	0.42	0.38
12	10	DMT1210	140	7.50	8.75	DMF1210	174	7.50	12.00	0.42	0.40
12	12	DMT1212	160	8.75	8.75	DMF1212	198	8.75	12.00	0.42	0.42
14	4	DMT144	172	5.50	10.50					0.47	0.34
14	6	DMT146	182	6.50	10.50					0.47	0.36
14	8	DMT148	206	7.50	10.50					0.47	0.38
14	10	DMT1410	228	8.50	10.50					0.47	0.40
14	12	DMT1412	234	9.50	10.50					0.47	0.42
14	14	DMT1414	280	10.50	10.50					0.47	0.47
16	6	DMT166	228	6.50	11.50	DMF166	213	6.50	15.00	0.50	0.36
16	8	DMT168	248	7.50	11.50	DMF168	260	7.50	15.00	0.50	0.38
16	10	DMT1610	264	8.50	11.50	DMF1610	287	8.5	15.00	0.50	0.40
16	12	DMT1612	280	9.50	11.50	DMF1612	312	9.50	15.00	0.50	0.42
16	14	DMT1614	316	10.50	11.50					0.50	0.47
16	16	DMT1616	322	11.50	11.50					0.50	0.50



SUZHOU EVERFORTUNE IMP. & EXP.CO.LTD  
MR. NI ZHEN YU

TEL: 0086-512-68620273; FAX:0086-512-68625516/68625626

[www.pipingchina.com](http://www.pipingchina.com)

# Ductile Iron Fittings

•ANSI/AWWAC153

## 3" - 48" Ductile Iron Mechanical Joint Fittings,Class350

### Tees

SIZE		MJ×MJ				T	T <sub>1</sub>	MJ×FLANGE			
RUN	BRANCH	LTEM No.	WT.	H	J			LTEM No.	WT.	H	L
18	6	DMT186	275	6.50	12.50	0.54	0.36	DMF186	261	6.50	15.5
18	8	DMT188	295	7.50	12.50	0.54	0.38				
18	10	DMT1810	315	8.50	12.50	0.54	0.40				
18	12	DMT1812	335	9.50	12.50	0.54	0.42				
18	14	DMT1814	380	10.50	12.50	0.54	0.47				
18	16	DMT1816	428	11.50	12.50	0.54	0.50				
18	18	DMT1818	448	12.50	12.50	0.54	0.54				
20	6	DMT206	348	6.50	14.00	0.57	0.36				
20	8	DMT208	345	8.00	14.00	0.57	0.38	DMF208	384	8.00	17.00
20	10	DMT2010	370	9.00	14.00	0.57	0.40				
20	12	DMT2012	441	10.00	14.00	0.57	0.42				
20	14	DMT2014	440	11.00	14.00	0.57	0.47				
20	16	DMT2016	465	12.00	14.00	0.57	0.50				
20	18	DMT2018	505	13.00	14.00	0.57	0.54				
20	20	DMT2020	535	14.00	14.00	0.57	0.57				
24	6	DMT246	415	7.00	16.00	0.61	0.36	DMF246	460	7.00	19.00
24	8	DMT248	445	8.00	16.00	0.61	0.38	DMF248	418	8.00	19.00
24	10	DMT2410	470	9.00	16.00	0.61	0.40				
24	12	DMT2412	500	10.00	16.00	0.61	0.42				
24	14	DMT2414	550	11.00	16.00	0.61	0.47				
24	16	DMT2416	580	12.00	16.00	0.61	0.50				
24	18	DMT2418	630	13.00	16.00	0.61	0.54				
24	20	DMT2420	660	14.00	16.00	0.61	0.57				
24	24	DMT2424	720	16.00	16.00	0.61	0.61				
30	6	DMT306	700	7.00	20.00	0.66	0.36				
30	8	DMT308	739	8.50	20.00	0.66	0.38				
30	12	DMT3012	830	10.00	20.00	0.66	0.42				
30	16	DMT3016	959	12.50	20.00	0.66	0.50				
30	20	DMT3020	995	15.00	20.00	0.66	0.57				
30	24	DMT3024	1060	16.00	20.00	0.66	0.61				
30	30	DMT3030	1323	20.00	20.00	0.66	0.66				
36	12	DMT3612	1205	10.00	23.50	0.74	0.43				
36	16	DMT3616	1350	12.50	23.50	0.74	0.52				
36	24	DMT3624	4498	16.00	23.50	0.74	0.61				
36	30	DMT3630	1767	20.00	23.50	0.74	0.66				
36	36	DMT3636	1900	23.50	23.50	0.74	0.74				
42	12	DMT4212	1410	10.00	29.50	0.82	0.43				
42	24	DMT4224	2270	20.00	27.50	0.82	0.61				
42	30	DMT4230	2425	22.00	29.50	0.82	0.66				
42	36	DMT4236	3000	30.00	30.00	0.82	0.74				
42	42	DMT4242	3175	30.00	30.00	0.82	0.82				
48	24	DMT4824	2870	23.00	32.00	0.90	0.61				
48	30	DMT4830	3050	23.00	32.00	0.90	0.66				
48	36	DMT4836	3900	33.50	32.25	0.90	0.74				
48	42	DMT4842	4100	33.50	33.50	0.90	0.82				
48	48	DMT4848	4250	33.50	33.50	0.90	0.90				



SUZHOU EVERFORTUNE IMP. & EXP.CO.LTD  
MR. NI ZHEN YU

[www.pipingchina.com](http://www.pipingchina.com)

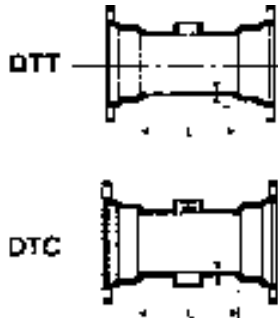
TEL: 0086-512-68620273; FAX:0086-512-68625516/68625626

# Ductile Iron Fittings

•ANSI/AWWAC153

## 3" - 48" Ductile Iron Mechanical Joint Fittings, Class 350

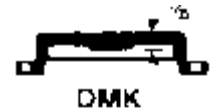
### TAPPED TEES AND TAPPED CROSSES



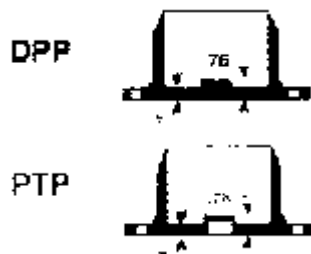
SIZE	TEE		CROSS		T	L	TAP SIZE
	LTEM No.	WT.	LTEM No.	WT.			
3	DTT3	35	DTC3	19	0.33	6.0	2
4	DTT4	45	DTC4	23	0.34	8.0	2
6	DTT6	70	DTC6	37	0.36	10.0	2
8	DTT8	95	DTC8	53	0.38	13.0	2
10	DTT10	130	DTC10	68	0.40	14.0	2
12	DTT12	165	DTC12	88	0.42	17.5	2
16	DTT16	178	DTC16	178	0.50	23.0	2
20	DTT20	259	DCT20	259	0.57	28.0	2
24	DTT24	320	DTC24	320	0.61	32.0	2

### CAPSAND PLUGS

SIZE	CAP SOLID	CAP TAPPED	WT.	PLUG SOLID	PLUG TAPPED	WT.
	LTEM No.	LTEM No.		LTEM No.	LTEM No.	
3	DMK3	DTK3	8	DMP3	DTP3	8
4	DMK4	DTK4	9	DMP4	DTP4	10
6	DMK6	DTK6	15	DMP6	DTP6	16
8	DMK8	DTK8	22	DMP8	DTP8	26
10	DMK10	DTK10	32	DMP10	DTP10	36
12	DMK14	DTK14	42	DMP14	DTP14	46
14	DMK12	DTK12	66	DMP12	DTP12	75
16	DMK18	DTK18	92	DMP18	DTP18	95
18	DMK16	DTK16	114	DMP16	DTP16	121
20	DMK20	DTK20	125	DMP20	DTP20	135
24	DMK24	DTK24	166	DMP24	DTP24	175
30	DMK30	DTK30	345	DMP30	DTP30	355
36	DMK36	DTK36	628	DMP36	DTP36	688



### PUSH-IN PLUGS



SIZE	SOLID PLUG	TAPPED PLUG	WT.	T
	LTEM No.	LTEM No.		
4	DPP4	PTP4	12	0.43
6	DPP6	PTP6	20	0.47
8	DPP8	PTP8	27	0.49
10	DPP10	PTP10	36	0.52
12	DPP12	PTP12	47	0.54
16	DPP16	PTP16	59	0.60



SUZHOU EVERFORTUNE IMP. & EXP.CO.LTD  
MR. NI ZHEN YU

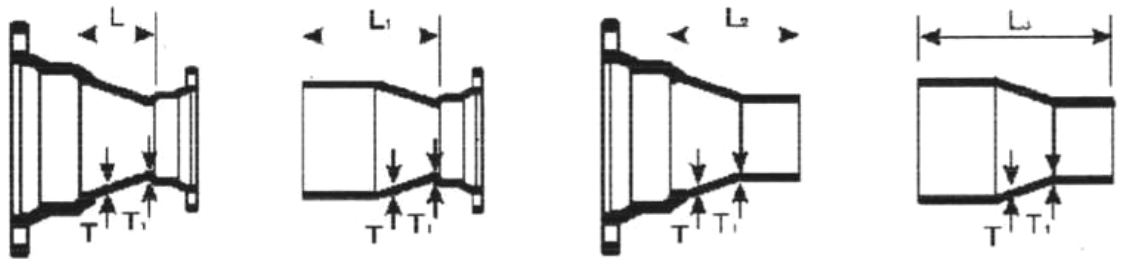
TEL: 0086-512-68620273; FAX:0086-512-68625516/68625626

[www.pipingchina.com](http://www.pipingchina.com)

# Ductile Iron Fittings

•ANSI/AWWAC153

## 3" - 48" Ductile Iron Mechanical Joint Fittings,Class350



### REDUCERS

SIZE	MJ×MJ			PE×MJ(Small End MJ)			MJ×PE(Large end MJ)			PE×PE			T	T <sub>1</sub>
	Ltem No.	Wt.	L	Ltem No.	Wt.	L <sub>1</sub>	Ltem No.	Wt.	L <sub>2</sub>	Ltem No.	Wt.	L <sub>3</sub>		
4×2	DMR42	16	2.50	SPR42	14	8.00							0.34	0.30
4×3	DMR43	18	3.00	SPR43	17	8.50	LPR43	18	8.50	PPR43	17	14.00	0.34	0.33
6×3	DMR63	23	5.00	SPR63	26	10.50	LPR63	26	10.50	PPR63	23	16.00	0.36	0.33
6×4	DMR64	24	4.00	SPR64	25	9.50	LPR64	25	9.50	PPR64	25	15.00	0.36	0.34
8×4	DMR84	32	5.00	SPR84	30	10.50	LPR84	34	10.50	PPR84	33	16.00	0.38	0.34
8×6	DMR86	36	4.00	SPR86	35	9.50	LPR86	32	9.50	PPR86	30	15.00	0.38	0.36
10×4	DMR104	46	7.00	SPR104	43	12.50	LPR104	46	12.50	PPR104	47	18.00	0.40	0.34
10×6	DMR106	47	5.00	SPR106	46	10.50	LPR106	46	10.50	PPR106	46	16.00	0.40	0.36
10×8	DMR108	50	4.00	SPR108	45	9.50	LPR108	50	9.50	PPR108	50	15.00	0.40	0.38
12×4	DMR124	58	9.00	SPR124	60	14.50	LPR124	60	10.50	PPR124	59	20.00	0.42	0.34
12×6	DMR126	58	7.00	SPR126	59	12.50	LPR126	60	12.50	PPR126	57	18.00	0.42	0.36
12×8	DMR128	57	5.00	SPR128	56	10.50	LPR128	60	10.50	PPR128	60	16.00	0.42	0.38
12×10	DMR1210	61	4.00	SPR1210	59	9.50	LPR1210	60	9.50	PPR1210	65	15.00	0.42	0.40
14×6	DMR146	100	9.00	SPR146	100	16.90	LPR146	104	14.50	PPR146	93	22.30	0.47	0.36
14×8	DMR148	100	7.00	SPR148	98	14.90	LPR148	98	12.40	PPR148	94	20.30	0.47	0.38
14×10	DMR1410	100	5.00	SPR1410	94	12.90	LPR1410	92	10.40	PPR1410	90	18.30	0.47	0.40
14×12	DMR1412	100	4.00	SPR1412	90	11.90	LPR1412	92	9.40	PPR1412	88	17.30	0.47	0.42
16×6	DMR166	142	11.00	SPR166	139	18.90	LPR166	136	16.50	PPR166	93	24.30	0.470.5	0.36
16×8	DMR168	139	9.00	SPR168	121	16.90	LPR168	128	14.40	PPR168	119	22.30	0	0.38
16×10	DMR1610	124	7.00	SPR1610	105	15.00	LPR1610	123	12.50	PPR1610	119	20.50	0.50	0.40
16×12	DMR1612	112	5.00	SPR1612	109	12.90	LPR1612	109	10.50	PPR1612	126	18.30	0.50	0.42
16×14	DMR1614	140	4.00	SPR1614	126	12.00	LPR1614	132	12.00	PPR1614	129	19.70	0.50	0.47
18×6	DMR186	194	16.00										0.50	0.36
18×8	DMR188	191	13.00	SPR188	170	20.00	LPR188	195	19.50	PPR188	170	27.40	0.54	0.38
18×10	DMR1810	195	10.00	SPR1810	165	18.00	LPR1810	185	17.40	PPR1810	160	25.50	0.54	0.40
18×12	DMR1812	180	7.00	SPR1812	150	15.50	LPR1812	175	14.00	PPR1812	150	19.50	0.54	0.42
18×14	DMR1814	190	6.00	SPR1814	175	15.00	LPR1814	190	15.00	PPR1814	160	23.00	0.54	0.47
18×16	DMR1816	195	5.00	SPR1816	170	12.50	LPR1816	190	12.50	PPR1816	145	18.00	0.54	0.50
20×6	DMR206	232	22.00	SPR206	201	30.00	LPR206	231	27.50	PPR206	106	35.50	0.57	0.36
20×8	DMR208	227	19.00	SPR208	198	27.00	LPR208	227	24.50	PPR208	106	32.50	0.57	0.38
20×10	DMR2010	220	14.00	SPR2010	200	22.00	LPR2010	210	19.00	PPR2010	180	27.50	0.57	0.40
20×12	DMR2012	205	12.00	SPR2012	186	17.50	LPR2012	205	16.00	PPR2012	190	21.50	0.57	0.42
20×14	DMR2014	200	10.00	SPR2014	190	18.00	LPR2014	205	17.90	PPR2014	195	26.00	0.57	0.47
20×16	DMR2016	200	7.00	SPR2016	201	13.50	LPR2016	200	13.50	PPR2016	170	19.00	0.57	0.50
20×18	DMR2018	225	4.00	SPR2018	200	12.00	LPR2018	215	12.00	PPR2018	190	20.00	0.57	0.54



SUZHOU EVERFORTUNE IMP. & EXP.CO.LTD  
MR. NI ZHEN YU

TEL: 0086-512-68620273; FAX:0086-512-68625516/68625626

[www.pipingchina.com](http://www.pipingchina.com)

# Ductile Iron Fittings

·ANSI/AWWAC153

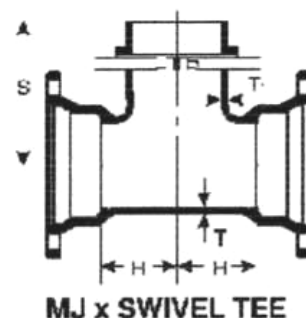
## 3" - 48" Ductile Iron Mechanical Joint Fittings,Class350

### REDUCERS

SIZE	MJ×MJ			PE×MJ(Small End MJ)			MJ×PE(Large end MJ)			PE×PE			T	T <sub>1</sub>
	Ltem No.	Wt.	L	Ltem No.	Wt.	L <sub>1</sub>	Ltem No.	Wt.	L <sub>2</sub>	Ltem No.	Wt.	L <sub>3</sub>		
24×6	DMR246	322	28.00	SPR246	284	36.00	LPR246	320	33.50	PPR246	283	41.50	0.61	0.36
24×8	DMR248	318	25.00	SPR248	282	33.00	LPR248	316	30.50	PPR248	281	38.50	0.61	0.38
24×10	DMR2410	312	22.00	SPR2410	276	30.00	LPR2410	310	27.50	PPR2410	274	35.50	0.61	0.40
24×12	DMR2412	305	16.00	SPR2412	275	21.50	LPR2412	290	21.00	PPR2412	240	22.50	0.61	0.42
24×14	DMR2414	310	14.00	SPR2414	310	22.00	LPR2414	315	21.90	PPR2414	295	25.00	0.61	0.47
24×16	DMR2416	320	12.00	SPR2416	285	17.50	LPR2416	285	17.50	PPR2416	285	23.00	0.61	0.50
24×18	DMR2418	308	10.00	SPR2418	300	18.00	LPR2418	310	18.00	PPR2418	590	21.00	0.61	0.54
24×20	DMR2420	300	7.00	SPR2420	270	13.50	LPR2420	283	13.50	PPR2420	240	14.00	0.61	0.57
30×16	DMR3016	633	30.00	SPR3016	565	39.00	LPR3016	623	39.00	PPR3016	555	48.00	0.66	0.50
30×18	DMR3018	658	28.00	SPR3018	590	37.00	LPR3018	635	37.00	PPR3018	567	46.00	0.66	0.54
30×20	DMR3020	628	24.00	SPR3020	560	33.00	LPR3020	603	33.00	PPR3020	535	42.00	0.60	0.57
30×24	DMR3024	478	10.00	SPR3024	495	24.50	LPR3024	526	24.50	PPR3024	458	33.50	0.66	0.61
36×20	DMR3620	975	36.00	SPR3620	874	45.00	LPR3620	950	45.00	PPR3620	849	54.00	0.74	0.57
36×24	DMR3624	770	19.00	SPR3624	746	33.00	LPR3624	810	33.00	PPR3624	709	42.00	0.74	0.61
36×30	DMR3630	898	15.50	SPR3630	725	24.50	LPR3630	758	24.50	PPR3630	657	33.50	0.74	0.66
42×24	DMR4224	1356	40.00	SPR4224	1204	49.00	LPR4224	1319	49.00	PPR4224	1167	58.00	0.82	0.61
42×30	DMR4230	1083	20.00	SPR4230	931	29.00	LPR4230	1015	29.00	PPR4230	863	38.00	0.82	0.66
42×36	DMR4236	1179	15.50	SPR4236	962	24.50	LPR4236	1013	24.50	PPR4236	861	33.50	0.82	0.74
48×30	DMR4830	1779	40.00	SPR4830	1594	49.00	LPR4830	1711	49.00	PPR4830	1526	58.00	0.90	0.66
48×36	DMR4836	1641	28.00	SPR4836	1456	37.00	LPR4836	1540	37.00	PPR4836	1355	46.00	0.90	0.74
48×42	DMR4842	1426	15.50	SPR4842	1241	24.50	LPR4842	1274	24.50	PPR4842	1089	33.50	0.90	0.82

### TEES: MJ×SWIVEL

SIZE	LTEM No.	H	S	T	T <sub>1</sub>	Wt.
6×6	DMH246	5.00	10.00	0.36	0.36	77
8×6	DMH248	5.00	11.00	0.38	0.36	89
8×8	DMH2410	6.50	11.00	0.38	0.38	116
10×6	DMH2412	5.00	12.50	0.40	0.36	113
10×8	DMH2414	6.50	12.50	0.40	0.38	129
12×6	DMH2416	5.00	13.50	0.42	0.36	128
12×8	DMH2418	6.50	13.50	0.42	0.38	149
14×6	DMH2420	6.50	15.00	0.47	0.36	211
16×6	DMH3016	6.50	16.00	0.50	0.36	248
16×8	DMH3018	7.50	16.00	0.50	0.38	298
18×6	DMH3020	6.50	17.00	0.54	0.36	300
20×6	DMH3024	6.50	18.50	0.57	0.36	358
20×8	DMH362	8.00	18.50	0.57	0.38	382
24×6	DMH362	7.00	19.00	0.61	0.36	458
24×8	DMH362	8.00	19.00	0.61	0.38	477



SUZHOU EVERFORTUNE IMP. & EXP.CO.LTD  
MR. NI ZHEN YU

www.pipingchina.com  
TEL: 0086-512-68620273; FAX:0086-512-68625516/68625626

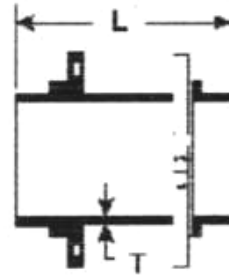
# Ductile Iron Fittings

•ANSI/AWWAC153

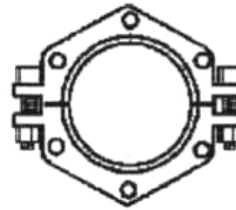
## 3" - 48" Ductile Iron Mechanical Joint Fittings, Class 350

### ADAPTERS: SOLID×SWIVEL

SIZE	LTEM No.	L	T	Wt.
4	SSA413	13.00	0.34	29
6	SSA613	13.00	0.36	47
6	SSA618	18.00	0.36	58
6	SSA624	24.00	0.36	69
6	SSA630	30.00	0.36	66
6	SSA636	36.00	0.36	75
6	SSA648	48.00	0.36	94
6	SSA660	60.00	0.36	112
6	SSA672	72.00	0.36	131
8	SSA813	13.00	0.38	52
10	SSA1013	13.00	0.40	69
12	SSA1213	13.00	0.42	87



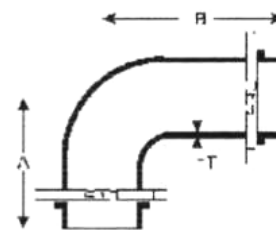
### SWIVEL GLAND



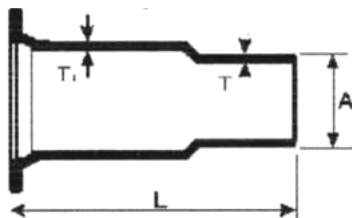
SIZE	LTEM No.	Wt.
4	HR4	8
6	HR6	18
8	HR8	15
10	HR10	18
12	HR12	24

### SWIVEL×SWIVEL BEND

SIZE	LTEM No.	A	B	T	Wt.
6	SSB690	10.50	16.00	0.36	52
8	SSB890	12.50	18.00	0.38	74
10	SSB1090	13.00	20.00	0.40	102



### DUAL CUTTING-IN SLEEVES



SIZE	LTEM No.	T	T <sub>1</sub>	A	L	Wt.
3	DCL3	0.34	0.36	3.96	20	34
4	DCL4	0.35	0.37	4.80	20	50
6	DCL6	0.37	0.39	6.90	20	62
8	DCL8	0.39	0.41	9.05	20	90
10	DCL10	0.41	0.43	11.10	20	105
12	DCL12	0.43	0.45	13.20	20	128



SUZHOU EVERFORTUNE IMP. & EXP.CO.LTD  
MR. NI ZHEN YU

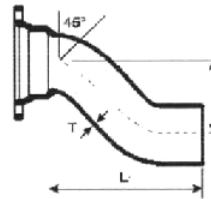
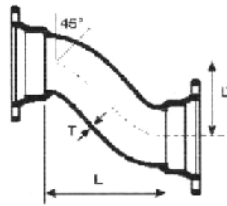
TEL: 0086-512-68620273; FAX:0086-512-68625516/68625626

[www.pipingchina.com](http://www.pipingchina.com)

# Ductile Iron Fittings

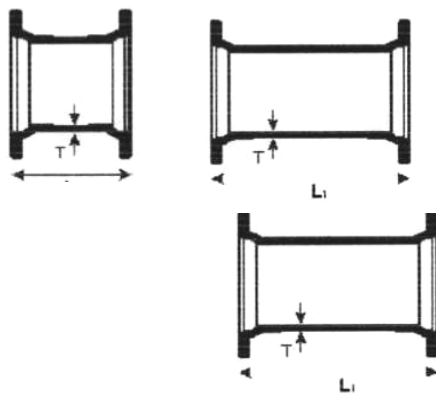
•ANSI/AWWAC153

## 3" - 48" Ductile Iron Mechanical Joint Fittings, Class 350



### OFFSETS

SIZE	MJ×MJ		MJ×PE		D	L	L <sub>1</sub>	T
	LTEM No.	Wt.	LTEM No.	Wt.				
3×6	DMO36	30	DMQ36	29	6.00	9.00	14.50	0.33
3×12	DMO312	40	DMQ312	39	12.00	15.00	20.50	0.33
3×18	DMO318	49	DMQ318	48	18.00	21.00	26.50	0.33
3×24	DMO324	55	DMQ324	53	24.00	27.00	32.50	0.33
4×6	DMO46	45	DMQ46	44	6.00	10.00	15.50	0.34
4×12	DMO412	55	DMQ412	54	12.00	16.00	21.50	0.34
4×18	DMO418	65	DMQ418	63	18.00	22.00	27.50	0.34
4×24	DMO424	75	DMQ424	72	24.00	28.00	33.50	0.34
6×6	DMO66	41	DMQ66	54	6.00	12.00	17.50	0.36
6×12	DMO612	65	DMQ612	64	12.00	18.00	23.50	0.36
6×18	DMO618	75	DMQ618	72	18.00	24.00	29.50	0.36
6×24	DMO624	85	DMQ624	82	24.00	30.00	35.50	0.36
8×6	DMO86	84	DMQ86	78	6.00	13.00	18.50	0.38
8×12	DMO812	90	DMQ812	88	12.00	19.00	24.50	0.38
8×18	DMO818	100	DMQ818	96	18.00	25.00	30.50	0.38
10×6	DMO106	105	DMQ106	102	6.00	15.00	20.50	0.40
10×12	DMO1012	135	DMQ1012	132	12.00	21.00	26.50	0.40
10×18	DMO1018	165	DMQ1018	160	18.00	27.00	32.50	0.40
12×6	DMO126	124	DMQ126	112	6.00	17.00	22.50	0.42
12×12	DMO1212	153	DMQ1212	146	12.00	23.00	28.50	0.42
12×18	DMO1218	190	DMQ1218	184	18.00	29.00	34.50	0.42
12×24	DMO1224	202	DMQ1224	194	24.00	35.00	40.50	0.42
12×30	DMO1230	213	DMQ1230	205	30.00	41.00	46.50	0.42



### SLEEVES

SIZE	MJ×MJ			MJ×PE			T
	LTEM No.	Wt.	L	LTEM No.	Wt.	L <sub>1</sub>	
3	DMS3	13	7.50	DML3	18	12.00	0.33
4	DMS4	17	7.50	DML4	22	12.00	0.34
6	DMS6	28	7.50	DML6	35	12.00	0.36
8	DMS8	38	7.50	DML8	46	12.00	0.38
10	DMS10	49	7.50	DML10	62	12.00	0.40
12	DMS12	56	7.50	DML12	76	12.00	0.42
14	DMS14	111	9.50	DML14	140	15.00	0.47
16	DMS16	123	9.50	DML16	170	15.00	0.50
18	DMS18	160	9.50	DML18	200	15.00	0.54
20	DMS20	195	9.50	DML20	255	15.00	0.57
24	DMS24	255	9.50	DML24	335	15.00	0.61
30	DMS30	500	15.00	DML30	640	24.00	0.66
				DML36	925	24.00	0.74
				DML42	1390	24.0024	0.82
				DML48	1740	00	0.90

### DUAL PURPOSE SLEEVES

SIZE	LTEM No.	Wt.	L <sub>1</sub>	T
3	DDL3	23	12	0.33
4	DDL4	32	12	0.34
6	DDL6	50	12	0.36
8	DDL8	65	12	0.38
10	DDL10	89	12	0.40
12	DDL12	104	12	0.42



SUZHOU EVERFORTUNE IMP. & EXP.CO.LTD  
MR. NI ZHEN YU

TEL: 0086-512-68620273; FAX:0086-512-68625516/68625626

[www.pipingchina.com](http://www.pipingchina.com)

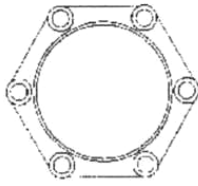


# Ductile Iron Fittings

•ANSI/AWWAC153

## 3" - 48" Ductile Iron Mechanical Joint Fittings,Class350

### STANDARD GLANDS

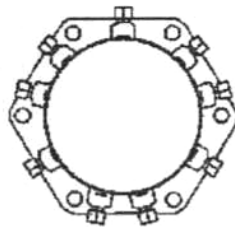


SIZE	LTEM No.	WT.
2	DG2	2
3	DG3	4
4	DG4	5
6	DG6	6
8	DG8	7
10	DG10	10
12	DG12	15
14	DG14	23
16	DG16	28
18	DG18	30
20	DG20	43
24	DG24	50
30	DG30	85
36	DG36	115
42	DG42	180
48	DG48	275

### GASKETS



SIZE	STANDARD		TRANSITION	
	LTEM No.	WT.	LTEM No.	WT.
2	MG2			
3	MG3	0.25		
4	MG4	0.30		
6	MG6	0.50		
8	MG8	0.75		
10	MG10	0.80	TG3	
12	MG12	1.00	TG4	0.50
14	MG14	1.30	TG6	0.60
16	MG16	1.45	TG8	0.75
18	MG18	1.60	TG10	1.10
20	MG20	1.90	TG12	1.30
24	MG24	2.10		1.65
30	MG30	2.30		
36	MG36	2.75		
42	MG42	3.20		
48	MG48	3.65		



### RETAINER GLANDS

NOMINAL PIPE SIZE	ITEM No.	WT.	AWWA DUCTILE IRON PIPE O.D	WWP RATING (psi)	SETSCREWS		
					QTY	SIZE	TORQUE (Ft Lbs)
3	RMG3	5	3.96	350	4	5/8x2	85
4	RMG4	7	4.80	350	4	5/8x2	85
6	RMG6	12	6.90	350	6	5/8x2	85
8	RMG8	16	9.05	250	9	5/8x2	85
10	RMG10	22	11.10	250	16	5/8x2	85
12	RMG12	28	13.20	250	16	5/8x2	85
14	RMG14	45	15.30	250	20	5/8x2	85
16	RMG16	52	17.40	250	24	5/8x2	85
18	RMG18	62	19.50	200	24	5/8x2	85
20	RMG20	75	21.60	200	28	3/4x2-1/2	110
24	RMG24	97	25.80	200	32	3/4x2-1/2	110
30	RMG30	196	32.00	100	40	3/4x2-1/2	110
36	RMG36	246	38.30	100	48	3/4x2-1/2	110
42	RMG42	302	44.50	100	56	3/4x2-1/2	110
48	RMG48	380	50.80	100	64	3/4x2-1/2	110



SUZHOU EVERFORTUNE IMP. & EXP.CO.LTD  
MR. NI ZHEN YU

TEL: 0086-512-68620273; FAX:0086-512-68625516/68625626

[www.pipingchina.com](http://www.pipingchina.com)

# Ductile Iron Fittings

•ANSI/AWWAC153

## 3" - 48" Ductile Iron Mechanical Joint Fittings,Class350

### Gland Pack-includes Gland,MJ Gasket and Std.T-Head Bolts

SIZE	LTEM No.	WT.
2	DGP2	6
3	DGP3	7
4	DGP4	8
6	DGP6	12
8	DGP8	15
10	DGP10	20
12	DGP12	25
14	DGP14	37
16	DGP16	43
18	DGP18	47
20	DGP20	61
24	DGP24	72

### Transition Gland Pack-Includes Gland, Transition Gasket and.T-Head Bolts

SIZE	LTEM No.	WT.
3	DXP3	7
4	DXP4	8
6	DXP6	12
8	DXP8	15
10	DXP10	20
12	DXP12	25

### Retainer Gland Pack-includes Gland, MJ Gasket and Std.T-Head Bolts

SIZE	LTEM No.	WT.
3	MGP3	3
4	MGP4	4
6	MGP6	6
8	MGP8	7
10	MGP10	8
12	MGP12	9

### Bolt Pack-Gasket & Bolts, Without Gland

SIZE	LTEM No.	WT.
3	RGP3	9
4	RGP4	10
6	RGP6	15
8	RGP8	19
10	RGP10	25
12	RGP12	32



### Low Alloy,Corrosion Resistant,Steel T-Head Bolts

STANDARD BOLTS		
SIZE in.	LTEM No.	WT.
5/8×3	TB30	.50
3/4×3 1/2	TB35	.75
3/4×4	TB40	.85
3/4×4 1/2	TB45	1.00
3/4×5	TB50	1.25
1×6	TB60	2.25
1 1/4×6	TB61	2.50

ANTI-ROTATION BOLTS		
SIZE in.	LTEM No.	WT.
3/4×3	ATB35	.75
3/4×4	ATB40	1.00
3/4×4 1/2	ATB45	1.25
3/4×5	ATB50	1.50



SUZHOU EVERFORTUNE IMP. & EXP.CO.LTD  
MR. NI ZHEN YU

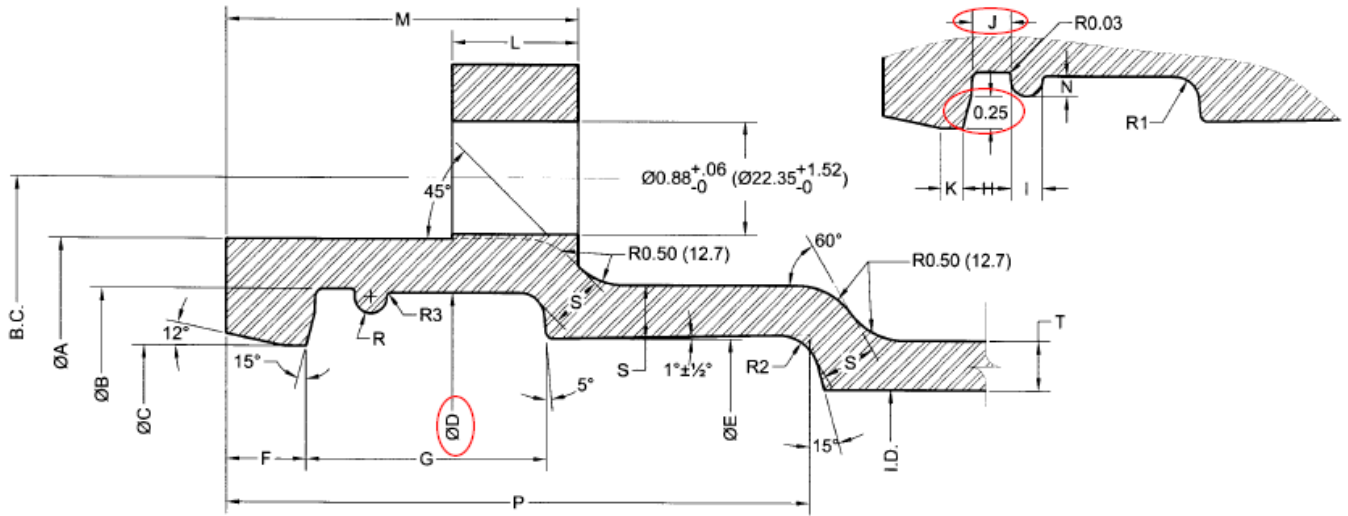
TEL: 0086-512-68620273; FAX:0086-512-68625516/68625626

[www.pipingchina.com](http://www.pipingchina.com)

# Ductile Iron Fittings

•ANSI/AWWAC153

4" -12" Push-on Fittings Bell Detail(Compact C153)



- NOTE:
1. ALL UNSPECIFIED DRAFT ANGLE = 3°±1
  2. ALL UNSPECIFIED CORNER RADII = .06 (1.5)
  3. ALL UNSPECIFIED TOLERANCE = ±.03 (.76)

4"-12" SIZES

## Dimensions in inches/millimeters

SIZE in/mm	PIPE O.D.	B.C. ±0.06	ØA ±0.09	ØB	ØC	ØD	ØE	F	G ±0.06	H	I ±0.09
4	4.8	7.68	6.48	5.7±0.04	4.91±0.04	5.64±0.04	5.04±0.09	0.42	1.43	0.33	0.19
	122	195.1	164.59	144.8±1.0	124.71±1.0	143.26±1.0	128±2.29	10.7	36.3	8.40	4.80
6	6.9	9.81	8.66	7.8±0.04	7.01±0.04	7.74±0.04	7.14±0.09	0.55	1.43	0.33	0.19
	175	249.2	219.96	198.1±1.0	178.05±1.0	196.6±1.0	181.4±2.29	14.0	36.3	8.40	4.80
8	9.05	12.06	10.94	10.04±0.05	9.17±0.05	9.98±0.05	9.32±0.10	0.61	1.86	0.38	0.25
	230	306.3	277.88	255±1.27	232.9±1.27	253.5±1.27	236.7±2.54	15.5	47.2	9.70	6.40
10	11.1	14.12	13.03	12.09±0.05	11.22±0.05	12.03±0.05	11.37±0.10	0.67	2.00	0.38	0.25
	282	358.6	330.96	307.1±1.27	284.99±1.27	305.6±1.27	288.8±2.54	17.0	50.8	9.70	6.40
12	13.2	16.5	15.17	14.19±0.05	13.32±0.05	14.13±0.05	13.47±0.10	0.67	2.00	0.38	0.25
	335	419.1	385.32	360.4±1.27	338.33±1.27	358.9±1.27	342.1±2.54	17.0	50.8	9.70	6.40

SIZE in/mm	J +0.00 -0.02	K	L ±0.06	M ±0.12	N +0.000 -0.031	P ±0.12	R ±0.015	R1	R2	R3	S	T	I.D. ±0.12
4	0.25	0.07	0.88	2.12	0.125	4.02	0.095	0.16	0.25	0.03	0.39±0.06	0.34-0.08	4.28
	6.35	1.80	22.4	53.85	3.20	102.1	2.40	4.10	6.40	0.80	9.91±1.50	8.6-2.00	108.7
6	0.25	0.17	0.88	2.12	0.125	4.02	0.095	0.16	0.25	0.03	0.43±0.06	0.36-0.09	6.4
	6.35	4.30	22.4	53.85	3.20	102.1	2.40	4.10	6.40	0.80	10.92±1.50	9.1-2.30	162.6
8	0.30	0.17	1.00	2.75	0.156	4.49	0.125	0.19	0.31	0.06	0.45±0.07	0.38-0.09	8.51
	7.62	4.30	25.4	69.85	4.0	114.0	3.20	4.80	7.90	1.52	11.43±1.80	9.7-2.30	216.2
10	0.30	0.17	1.12	2.88	0.156	4.49	0.125	0.19	0.31	0.06	0.47±0.08	0.40-0.09	10.58
	7.62	4.30	28.4	73.15	4.0	114.0	3.20	4.80	7.90	1.52	11.94±2.00	10.2-2.30	268.7
12	0.30	0.17	1.12	3.00	0.156	5.00	0.125	0.19	0.31	0.06	0.49±0.09	0.42-0.09	12.58
	7.62	4.30	28.4	76.2	4.0	127.0	3.20	4.80	7.90	1.52	12.45±2.30	10.7-2.30	319.5



SUZHOU EVERFORTUNE IMP. & EXP.CO.LTD  
MR. NI ZHEN YU

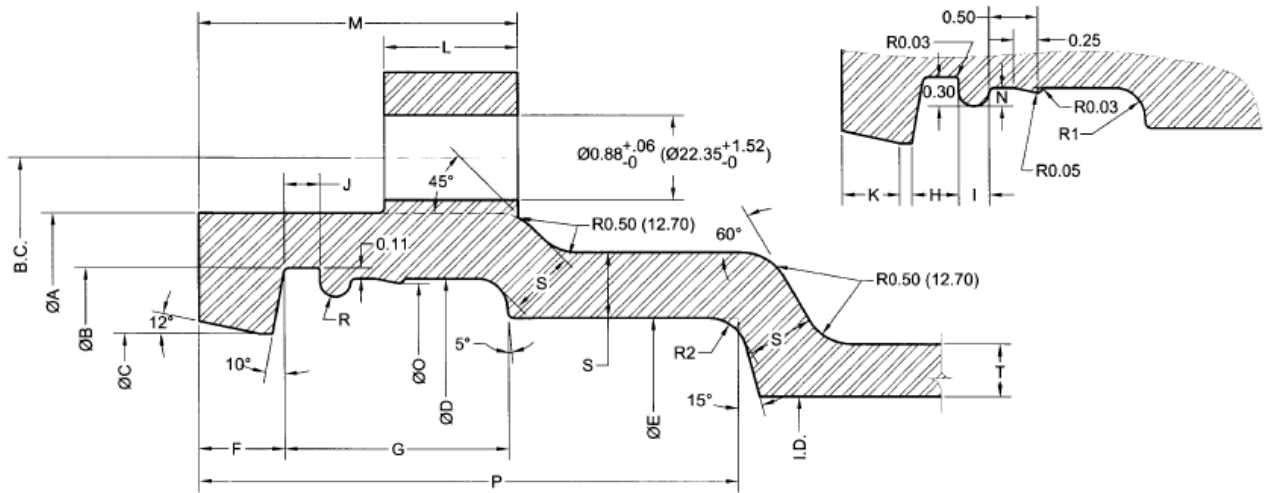
TEL: 0086-512-68620273; FAX:0086-512-68625516/68625626

[www.pipingchina.com](http://www.pipingchina.com)

# Ductile Iron Fittings

•ANSI/AWWAC153

14" -24" Push-on Fittings Bell Detail(Compact C153)



- NOTE:
1. ALL UNSPECIFIED DRAFT ANGLE = 3°±1
  2. ALL UNSPECIFIED CORNER RADII = .06 (1.5)
  3. ALL UNSPECIFIED TOLERANCE = ±.03 (.76)
- 14"-24" SIZES

## Dimensions in inches/millimeters.

SIZE in/mm	PIPE O.D.	B.C. ±0.06	ØA ±0.09	ØB REF	ØC ±0.05	ØD ±0.11	ØE ±0.11	F	G ±0.06	H	I ±0.03	J +0.02 -0.00
14	15.3	18.75	17.65	16.77	15.41	16.55	15.73	0.85	2.30	0.48	0.31	0.36
	388.6	476.3	448.31	425.96	391.41	420.37	399.58	21.59	58.42	12.19	7.87	9.14
16	17.4	21.25	19.81	18.87	17.51	18.65	17.83	0.85	2.30	0.48	0.31	0.36
	442	539.75	503.17	479.3	444.75	473.71	452.88	21.59	58.42	12.19	7.87	9.14
18	19.5	23.25	22.11	20.97	19.61	20.75	19.93	0.85	2.30	0.48	0.31	0.36
	495.3	590.6	561.59	532.64	498.09	527.05	506.22	21.59	58.42	12.19	7.87	9.14
20	21.6	25.5	24.23	23.07	21.71	22.85	22.04	0.85	2.30	0.48	0.31	0.36
	548.6	647.7	615.44	585.98	551.43	580.39	559.82	21.59	58.42	12.19	7.87	9.14
24	25.8	30.0	28.55	27.27	25.91	27.05	26.34	0.85	2.30	0.48	0.31	0.36
	655.3	762.0	725.17	692.66	658.11	687.07	669.04	21.59	58.42	12.19	7.87	9.14

SIZE in/mm	K	L ±0.06	M ±0.12	N +0.000 -0.031	ØO ±0.11	P ±0.12	R ±0.015	R1	R2	S	T	I.D. ±0.12
14	0.60	1.25	3.12	0.188	16.45	5.50	0.155	0.31	0.38	0.55±0.09	0.47-0.10	14.28
	15.24	31.75	79.25	4.78	417.83	139.7	3.94	7.87	9.65	13.97±2.30	11.94-2.54	362.71
16	0.60	1.25	3.25	0.188	18.55	5.50	0.155	0.31	0.38	0.58±0.09	0.50-0.10	16.36
	15.24	31.75	82.55	4.78	471.17	139.7	3.94	7.87	9.65	14.73±2.30	12.70-2.54	415.54
18	0.60	1.38	3.25	0.188	20.65	5.50	0.155	0.31	0.38	0.68±0.11	0.54-0.11	18.32
	15.24	35.05	82.55	4.78	524.51	139.7	3.94	7.87	9.65	17.27±2.79	13.72-2.79	465.33
20	0.60	1.38	3.25	0.188	22.75	5.50	0.155	0.31	0.38	0.69±0.11	0.57-0.11	20.4
	15.24	35.05	82.55	4.78	577.85	139.7	3.94	7.87	9.65	17.53±2.79	14.48-2.79	518.16
24	0.60	1.38	3.25	0.188	26.95	6.00	0.155	0.31	0.50	0.75±0.11	0.61-0.11	24.56
	15.24	35.05	82.55	4.78	684.53	152.4	3.94	7.87	12.7	19.05±2.79	15.49-2.79	623.8

MATERIAL: Ductile Iron ASTM A536, Grade 70-50-5.or 60-42-10  
RPESSURE: 350PSI Water Working Pressure(Class350)



SUZHOU EVERFORTUNE IMP. & EXP.CO.LTD  
MR. NI ZHEN YU

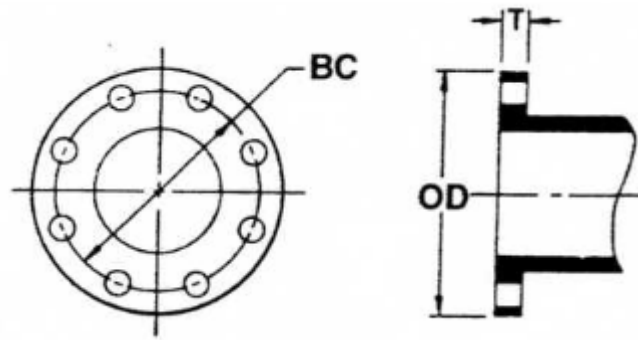
TEL: 0086-512-68620273; FAX:0086-512-68625516/68625626

[www.pipingchina.com](http://www.pipingchina.com)

# Ductile Iron Fittings

•ANSI/AWWA C153

3" -48" Flange Details



## Flange Details

## Dimensions in inches

SIZE in.	OD	BC	T	Bolt Hole Diam.	Bolt Diam.& Length-in.	No.of Bolts
3	7.50	6.00	0.75±0.12	3/4	5/8×2 1/2	4
4	9.00	7.50	0.94±0.12	3/4	5/8×3	8
6	11.00	9.50	1.00±0.12	7/8	3/4×3 1/2	8
8	13.50	11.75	1.12±0.12	7/8	3/4×3 1/2	8
10	16.00	14.25	1.19±0.12	1	7/8×4	12
12	19.00	17.00	1.25±0.12	1	7/8×4	12
14	21.00	18.75	1.38±0.19	1 1/8	1×4 1/4	12
16	23.50	21.25	1.44±0.19	1 1/8	1×4 1/4	16
18	25.00	22.75	1.56±0.19	1 1/4	1 1/8×5	16
20	27.50	25.00	1.69±0.19	1 1/4	1 1/8×5	20
24	32.00	29.50	1.88±0.19	1 3/8	1 1/4×5 1/2	20
30	38.75	36.00	2.12±0.25	1 3/8	1 1/4×6 1/2	28
36	46.00	42.75	2.38±0.25	1 5/8	1 1/2×7	32
42	53.00	49.50	2.62±0.25	1 5/8	1 1/2×7 1/2	36
48	59.50	56.00	2.75±0.25	1 5/8	1 1/2×8	44



SUZHOU EVERFORTUNE IMP. & EXP.CO.LTD  
MR. NI ZHEN YU

TEL: 0086-512-68620273; FAX:0086-512-68625516/68625626

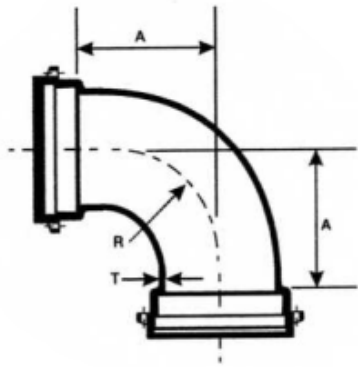
[www.pipingchina.com](http://www.pipingchina.com)

# Ductile Iron Fittings

•ANSI/AWWA C153

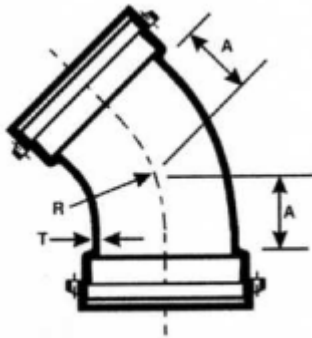
3" -16" Ductile Iron Push-on Joint Fittings, Class350

## 90° Bends



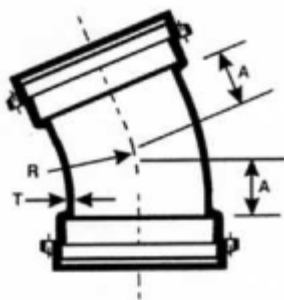
SIZE in.	Item No.	A in.	T in.	R in.
3	DPB390	3.5	0.33	
4	DPB490	4.0	0.34	4.0
6	DPB690	5.0	0.36	5.0
8	DPB890	6.5	0.38	6.5
10	DPB1090	7.5	0.40	7.5
12	DPB1290	9.0	0.42	9.0
14	DPB1490	11.5	0.47	10.5
16	DPB1690	12.5	0.50	11.5

## 45° Bends



SIZE in.	Item No.	A in.	T in.	R in.
3	DPB345	1.5	0.33	
4	DPB445	2.0	0.34	4.83
6	DPB645	3.0	0.36	7.24
8	DPB845	3.5	0.38	8.45
10	DPB1045	4.5	0.40	10.86
12	DPB1245	5.5	0.42	13.28
14	DPB1445	5.0	0.47	9.91
16	DPB1645	5.5	0.50	11.04

## 22.5° Bends



SIZE in.	Item No.	A in.	T in.	R in.
3	DPB322	1.00	0.33	
4	DPB422	1.50	0.34	7.54
6	DPB622	2.00	0.36	10.05
8	DPB822	2.50	0.38	12.57
10	DPB1022	3.00	0.40	15.08
12	DPB1222	3.50	0.42	17.6
14	DPB1422	3.75	0.47	14.36
16	DPB1622	3.75	0.50	14.19



SUZHOU EVERFORTUNE IMP. & EXP.CO.LTD  
MR. NI ZHEN YU

TEL: 0086-512-68620273; FAX:0086-512-68625516/68625626

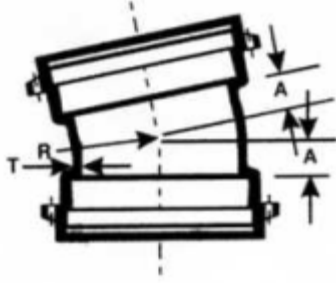
[www.pipingchina.com](http://www.pipingchina.com)

# Ductile Iron Fittings

•ANSI/AWWA C153

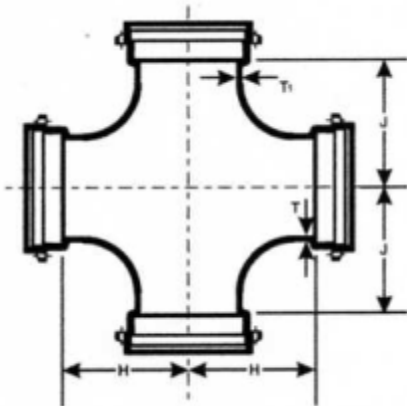
3" -16" Ductile Iron Push-on Joint Fittings, Class350

## 11.25° Bends



SIZE in.	Item No.	A in.	T in.	R in.
3	DPB311	1.00	0.33	
4	DPB411	1.25	0.34	12.69
6	DPB611	1.50	0.36	15.23
8	DPB811	1.75	0.38	17.77
10	DPB1011	2.00	0.40	20.31
12	DPB1211	2.25	0.42	22.84
14	DPB1411	2.50	0.47	25.99
16	DPB1611	2.50	0.50	25.99

## Crosses



SIZE Run×Branch	Item No.	H in.	J in.	T in.	T1 in.
3×3	DPC33	3.00	3.00	0.33	0.33
4×3	DPC43	3.50	4.00	0.34	0.33
4×4	DPC44	4.00	4.00	0.34	0.34
6×4	DPC64	4.00	5.00	0.36	0.34
6×6	DPC66	5.00	5.00	0.36	0.36
8×4	DPC84	4.00	6.50	0.38	0.34
8×6	DPC86	5.00	6.50	0.38	0.36
8×8	DPC88	6.00	6.00	0.38	0.38
10×4	DPC104	4.00	7.50	0.40	0.34
10×6	DPC106	5.00	7.50	0.40	0.36
10×8	DPC108	6.50	7.50	0.40	0.38
10×10	DPC1010	7.00	7.00	0.40	0.40
12×4	DPC124	4.00	8.75	0.42	0.34
12×6	DPC126	5.00	8.75	0.42	0.36
12×8	DPC128	6.50	8.75	0.42	0.38
12×10	DPC1210	7.50	8.75	0.42	0.40
12×12	DPC1212	8.50	8.50	0.42	0.42



SUZHOU EVERFORTUNE IMP. & EXP.CO.LTD  
MR. NI ZHEN YU

TEL: 0086-512-68620273; FAX:0086-512-68625516/68625626

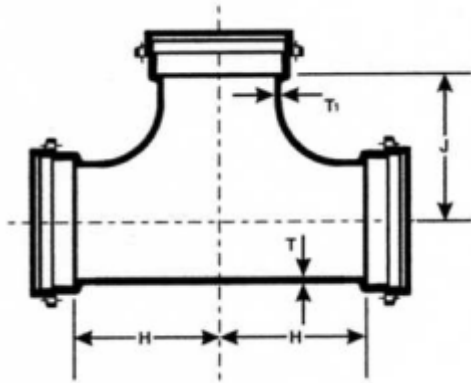
[www.pipingchina.com](http://www.pipingchina.com)

# Ductile Iron Fittings

•ANSI/AWWA C153

3" -16" Ductile Iron Push-on Joint Fittings, Class 350

## Tees



SIZE Run×Branch	Item No.	H in.	J in.	T in.	T1 in.
3×3	DPT33	3.00	3.00	0.33	0.33
4×4	DPT44	4.00	4.00	0.34	0.34
6×4	DPT64	4.00	5.00	0.36	0.34
6×6	DPT66	5.00	5.00	0.36	0.36
8×4	DPT84	4.00	6.50	0.38	0.34
8×6	DPT86	5.00	6.50	0.38	0.36
8×8	DPT88	6.50	6.50	0.38	0.38
10×4	DPT104	4.00	7.50	0.40	0.34
10×6	DPT106	5.00	7.50	0.40	0.36
10×8	DPT108	6.50	7.50	0.40	0.38
10×10	DPT1010	7.50	7.50	0.40	0.40
12×4	DPT124	4.00	8.75	0.42	0.34
12×6	DPT106	5.00	8.75	0.42	0.36
12×8	DPT108	6.50	8.75	0.42	0.38
12×10	DPT1210	7.50	8.75	0.42	0.40
12×12	DPT1212	8.75	8.75	0.42	0.42
14×6	DPT146	6.50	10.50	0.47	0.36
14×8	DPT148	7.50	10.50	0.47	0.38
14×10	DPT1410	8.50	10.50	0.47	0.40
14×12	DPT1412	9.50	10.50	0.47	0.42
14×14	DPT1414	10.50	10.50	0.47	0.47
16×6	DPT166	6.50	11.50	0.50	0.36
16×8	DPT168	7.50	11.50	0.50	0.38
16×10	DPT1610	8.50	11.50	0.50	0.40
16×12	DPT1612	9.50	11.50	0.50	0.42
16×16	DPT1616	11.50	11.50	0.50	0.50



SUZHOU EVERFORTUNE IMP. & EXP.CO.LTD  
MR. NI ZHEN YU

TEL: 0086-512-68620273; FAX:0086-512-68625516/68625626

[www.pipingchina.com](http://www.pipingchina.com)

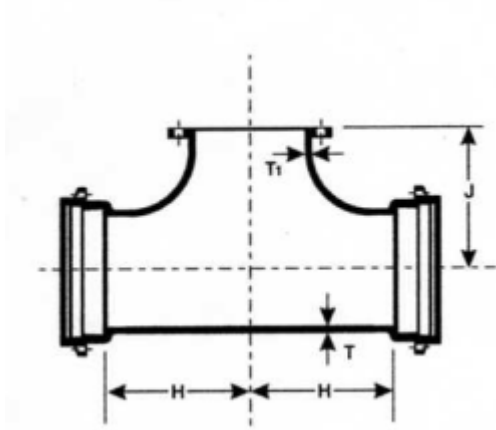


# Ductile Iron Fittings

•ANSI/AWWA C153

3" -16" Ductile Iron Push-on Joint Fittings, Class350

## Push-on × Flange Tees



SIZE Run×Branch	Item No.	H in.	J in.	T in.	T1 in.
3×3	DPF33	3.00	3.00	0.33	0.33
4×4	DPF44	4.00	4.00	0.34	0.34
6×4	DPF64	4.00	5.00	0.36	0.34
6×6	DPF66	5.00	5.00	0.36	0.36
8×4	DPF84	4.00	6.50	0.38	0.34
8×6	DPF86	5.00	6.50	0.38	0.36
8×8	DPF88	6.50	6.50	0.38	0.38
10×4	DPF104	4.00	7.50	0.40	0.34
10×6	DPF106	5.00	7.50	0.40	0.36
10×8	DPF108	6.50	7.50	0.40	0.38
10×10	DPF1010	7.50	7.50	0.40	0.40
12×4	DPF124	4.00	8.75	0.42	0.34
12×6	DPF106	5.00	8.75	0.42	0.36
12×8	DPF108	6.50	8.75	0.42	0.38
12×10	DPF1210	7.50	8.75	0.42	0.40
12×12	DPF1212	8.75	8.75	0.42	0.42
14×6	DPF146	6.50	10.50	0.47	0.36
14×8	DPF148	7.50	10.50	0.47	0.38
14×10	DPF1410	8.50	10.50	0.47	0.40
14×12	DPF1412	9.50	10.50	0.47	0.42
14×14	DPF1414	10.50	10.50	0.47	0.47
16×6	DPF166	6.50	11.50	0.50	0.36
16×8	DPF168	7.50	11.50	0.50	0.38
16×10	DPF1610	8.50	11.50	0.50	0.40
16×12	DPF1612	9.50	11.50	0.50	0.42
16×16	DPF1616	11.50	11.50	0.50	0.50



SUZHOU EVERFORTUNE IMP. & EXP.CO.LTD  
MR. NI ZHEN YU

TEL: 0086-512-68620273; FAX:0086-512-68625516/68625626

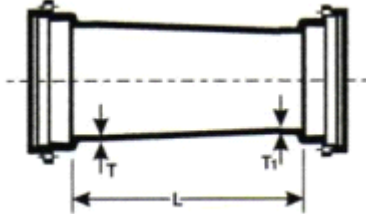
[www.pipingchina.com](http://www.pipingchina.com)

# Ductile Iron Fittings

•ANSI/AWWAC153

3" -16" Ductile Iron Push-on Joint Fittings, Class350

## Reducers



SIZE Run×Branch	Item No.	L in.	T in.	T1 in.
4×3	DPR43	3	0.34	0.33
6×3	DPR63	5	0.36	0.33
6×4	DPR64	4	0.36	0.34
8×4	DPR84	5	0.38	0.34
8×6	DPR86	4	0.38	0.36
10×4	DPR104	7	0.40	0.34
10×6	DPR106	5	0.40	0.36
10×8	DPR108	4	0.40	0.38
12×4	DPR124	9	0.42	0.34
12×6	DPR126	7	0.42	0.36
12×8	DPR128	5	0.42	0.38
12×10	DPR1210	4	0.42	0.40
16×6	DPR166	11	0.50	0.36
16×8	DPR168	9	0.50	0.38
16×10	DPR1610	7	0.50	0.40
16×12	DPR1612	5	0.50	0.42



SUZHOU EVERFORTUNE IMP. & EXP.CO.LTD  
MR. NI ZHEN YU

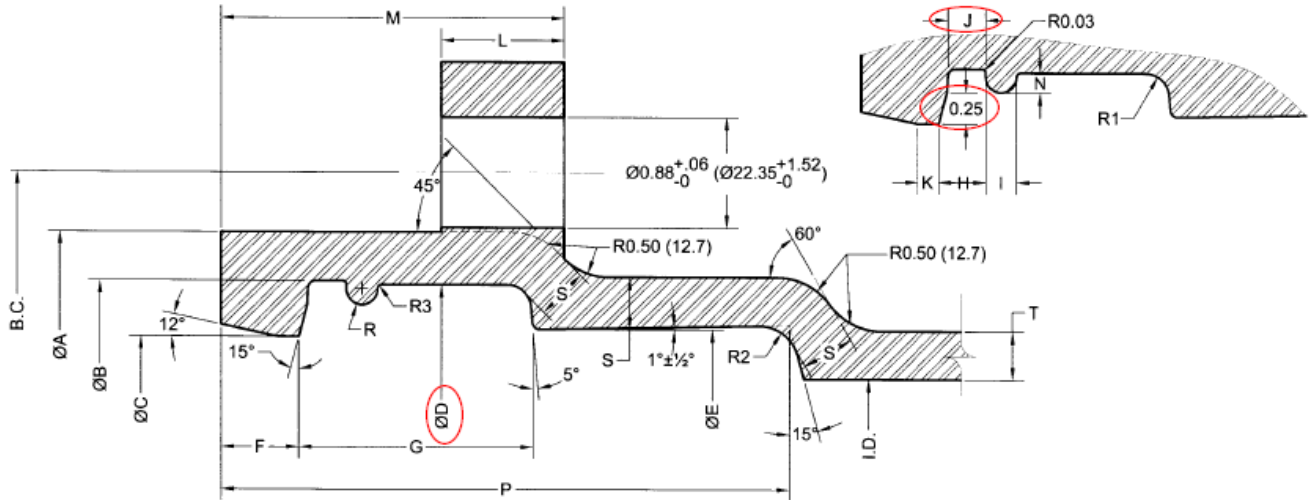
TEL: 0086-512-68620273; FAX:0086-512-68625516/68625626

[www.pipingchina.com](http://www.pipingchina.com)

# Cast Iron Fittings

•ANSI/AWWAC110

## 4" -12" Push-on Fittings Bell Detail(Compact C110)



- NOTE:
1. ALL UNSPECIFIED DRAFT ANGLE = 3°±1
  2. ALL UNSPECIFIED CORNER RADII = .06 (1.5)
  3. ALL UNSPECIFIED TOLERANCE = ±.03 (.76)

4"-12" SIZES

### Dimensions in inches/millimeters

SIZE in/mm	PIPE O.D.	B.C. ±0.06	ØA ±0.09	ØB	ØC	ØD	ØE	F	G ±0.06	H	I ±0.09
4	4.8	8.00	7.08	5.7±0.04	4.91±0.04	5.64±0.04	5.04±0.09	0.42	1.43	0.33	0.19
	122	203.2	179.8	144.8±1.0	124.71±1.0	143.26±1.0	128±2.29	10.7	36.3	8.40	4.80
6	6.9	10.16	9.28	7.8±0.04	7.01±0.04	7.74±0.04	7.14±0.09	0.55	1.43	0.33	0.19
	175	258.0	235.7	198.1±1.0	178.05±1.0	196.6±1.0	181.4±2.29	14.0	36.3	8.40	4.80
8	9.05	12.56	11.85	10.04±0.05	9.17±0.05	9.98±0.05	9.32±0.10	0.61	1.86	0.38	0.25
	230	319	301.0	255±1.27	232.9±1.27	253.5±1.27	236.7±2.54	15.5	47.2	9.70	6.40
10	11.1	14.94	13.68	12.09±0.05	11.22±0.05	12.03±0.05	11.37±0.10	0.67	2.00	0.38	0.25
	282	379.5	347.5	307.1±1.27	284.99±1.27	305.6±1.27	288.8±2.54	17.0	50.8	9.70	6.40
12	13.2	17.16	16.06	14.19±0.05	13.32±0.05	14.13±0.05	13.47±0.10	0.67	2.00	0.38	0.25
	335	435.8	407.9	360.4±1.27	338.33±1.27	358.9±1.27	342.1±2.54	17.0	50.8	9.70	6.40

SIZE in/mm	J +0.00 -0.02	K	L ±0.06	M ±0.12	N +0.000 -0.031	P ±0.12	R ±0.015	R1	R2	R3	S	T	I.D. ±0.12
4	0.25	0.07	1.25	2.58	0.125	4.02	0.095	0.16	0.25	0.03	0.65-0.1	-0.1	4.28
	6.35	1.80	31.75	65.5	3.20	102.1	2.40	4.10	6.40	0.80	16.51-2.54	-2.54	108.7
6	0.25	0.17	1.25	2.4	0.125	4.02	0.095	0.16	0.25	0.03	0.7-0.1	-0.1	6.4
	6.35	4.30	31.75	60.96	3.20	102.1	2.40	4.10	6.40	0.80	17.78-2.54	-2.54	162.6
8	0.30	0.17	1.25	3.0	0.156	4.49	0.125	0.19	0.31	0.06	0.75-0.12	-0.12	8.51
	7.62	4.30	31.75	76.2	4.0	114.0	3.20	4.80	7.90	1.52	19.05-3.05	-3.05	216.2
10	0.30	0.17	1.25	2.88	0.156	4.49	0.125	0.19	0.31	0.06	0.80-0.12	-0.12	10.58
	7.62	4.30	31.75	73.15	4.0	114.0	3.20	4.80	7.90	1.52	20.32-3.05	-3.05	268.7
12	0.30	0.17	1.25	3.25	0.156	5.00	0.125	0.19	0.31	0.06	0.85-0.12	-0.12	12.58
	7.62	4.30	31.75	82.55	4.0	127.0	3.20	4.80	7.90	1.52	21.59-3.05	-3.05	319.5



SUZHOU EVERFORTUNE IMP. & EXP.CO.LTD  
MR. NI ZHEN YU

TEL: 0086-512-68620273; FAX:0086-512-68625516/68625626

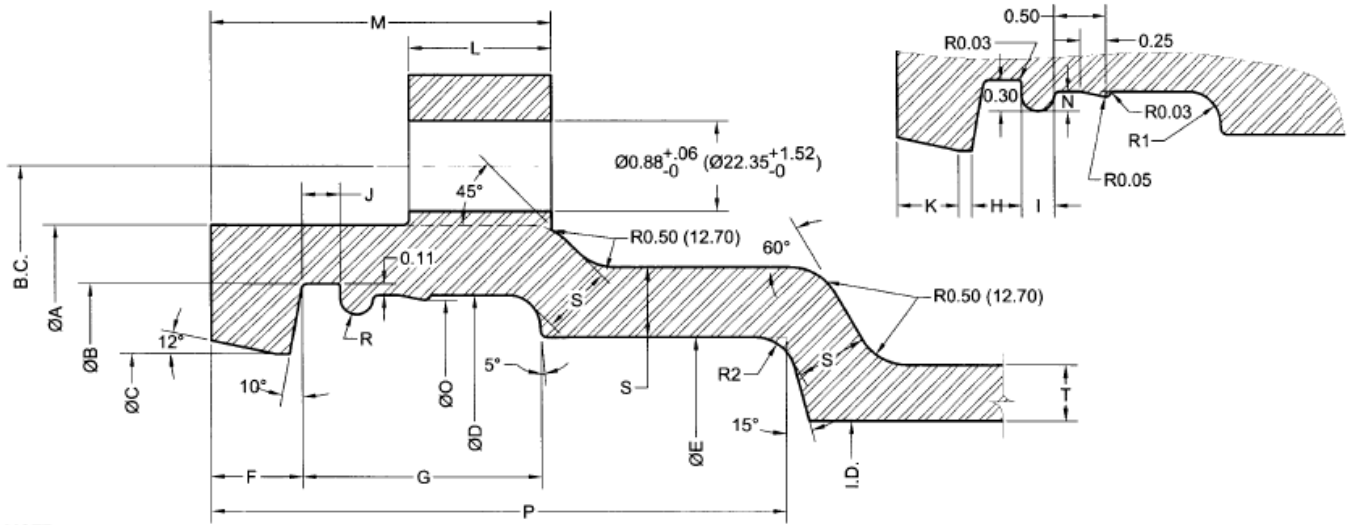
[www.pipingchina.com](http://www.pipingchina.com)

# Cast Iron Fittings

•ANSI/AWWAC110

14" -24" Push-on Fittings Bell Detail(Compact C110)

Dimensions in inches/millimeters.



- NOTE:  
 1. ALL UNSPECIFIED DRAFT ANGLE = 3°±1  
 2. ALL UNSPECIFIED CORNER RADII = .06 (1.5)  
 3. ALL UNSPECIFIED TOLERANCE = ±.03 (.76)

14"-24" SIZES

SIZE in/mm	PIPE O.D.	B.C. ±0.06	ØA ±0.09	ØB REF	ØC ±0.05	ØD ±0.11	ØE ±0.11	F	G ±0.06	H	I ±0.03	J +0.02 -0.00
14	15.3	18.75	19.75	16.77	15.41	16.55	15.73	0.85	2.30	0.48	0.31	0.36
	388.6	476.3	501.7	425.96	391.41	420.37	399.58	21.59	58.42	12.19	7.87	9.14
16	17.4	23.88	20.14	18.87	17.51	18.65	17.83	0.85	2.30	0.48	0.31	0.36
	442	606.6	511.6	479.3	444.75	473.71	452.88	21.59	58.42	12.19	7.87	9.14
18	19.5	25.00	23.75	20.97	19.61	20.75	19.93	0.85	2.30	0.48	0.31	0.36
	495.3	635.0	603.3	532.64	498.09	527.05	506.22	21.59	58.42	12.19	7.87	9.14
20	21.6	27.25	26.00	23.07	21.71	22.85	22.04	0.85	2.30	0.48	0.31	0.36
	548.6	692.2	660.4	585.98	551.43	580.39	559.82	21.59	58.42	12.19	7.87	9.14
24	25.8	32.00	30.5	27.27	25.91	27.05	26.34	0.85	2.30	0.48	0.31	0.36
	655.3	812.8	774.7	692.66	658.11	687.07	669.04	21.59	58.42	12.19	7.87	9.14

SIZE in/mm	K	L ±0.06	M ±0.12	N +0.000 -0.031	ØO ±0.11	P ±0.12	R ±0.015	R1	R2	S	T	I.D. ±0.12
14	0.60	1.25	3.50	0.188	16.45	5.50	0.155	0.31	0.38	0.89-0.12	-0.12	14.28
	15.24	31.75	88.9	4.78	417.83	139.7	3.94	7.87	9.65	22.61-3.05	-3.05	362.71
16	0.60	1.25	3.50	0.188	18.55	5.50	0.155	0.31	0.38	0.97-0.12	-0.12	16.36
	15.24	31.75	88.9	4.78	471.17	139.7	3.94	7.87	9.65	24.64-3.05	-3.05	415.54
18	0.60	1.38	3.50	0.188	20.65	5.50	0.155	0.31	0.38	1.05-0.15	-0.12	18.32
	15.24	35.05	88.9	4.78	524.51	139.7	3.94	7.87	9.65	26.67-3.81	-3.05	465.33
20	0.60	1.38	3.75	0.188	22.75	5.50	0.155	0.31	0.38	1.12-0.15	-0.12	20.4
	15.24	35.05	95.25	4.78	577.85	139.7	3.94	7.87	9.65	28.45-3.81	-3.05	518.16
24	0.60	1.38	3.75	0.188	26.95	6.00	0.155	0.31	0.50	1.22-0.15	-0.15	24.56
	15.24	35.05	95.25	4.78	684.53	152.4	3.94	7.87	12.7	30.99-3.81	-3.81	623.8

MATERIAL: Cast Iron ASTM A48 Class30B  
 RPESSURE: 4" -12" :250psi WWP,14" -24" :150psi WWP



SUZHOU EVERFORTUNE IMP. & EXP.CO.LTD  
 MR. NI ZHEN YU

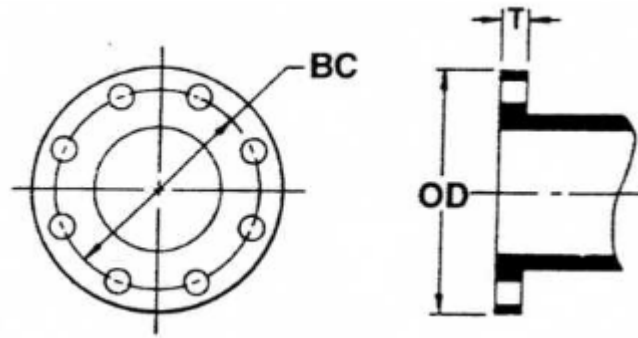
[www.pipingchina.com](http://www.pipingchina.com)

TEL: 0086-512-68620273; FAX:0086-512-68625516/68625626

# Cast Iron Fittings

•ANSI/AWWAC110

3" -48" Flange details



## Flange Details

SIZE in.	OD	BC	T	Bolt Hole Diam	Bolt Diam.& Length-in.	No.of Bolts
3	7.50	6.00	0.75±0.12	3/4	5/8×2 1/2	4
4	9.00	7.50	0.94±0.12	3/4	5/8×3	8
6	11.00	9.50	1.00±0.12	7/8	3/4×3 1/2	8
8	13.50	11.75	1.12±0.12	7/8	3/4×3 1/2	8
10	16.00	14.25	1.19±0.12	1	7/8×4	12
12	19.00	17.00	1.25±0.12	1	7/8×4	12
14	21.00	18.75	1.38±0.19	1 1/8	1×4 1/4	12
16	23.50	21.25	1.44±0.19	1 1/8	1×4 1/4	16
18	25.00	22.75	1.56±0.19	1 1/4	1 1/8×5	16
20	27.50	25.00	1.69±0.19	1 1/4	1 1/8×5	20
24	32.00	29.50	1.88±0.19	1 3/8	1 1/4×5 1/2	20
30	38.75	36.00	2.12±0.25	1 3/8	1 1/4×6 1/2	28
36	46.00	42.75	2.38±0.25	1 5/8	1 1/2×7	32
42	53.00	49.50	2.62±0.25	1 5/8	1 1/2×7 1/2	36
48	59.50	56.00	2.75±0.25	1 5/8	1 1/2×8	44



SUZHOU EVERFORTUNE IMP. & EXP.CO.LTD  
MR. NI ZHEN YU

TEL: 0086-512-68620273; FAX:0086-512-68625516/68625626

[www.pipingchina.com](http://www.pipingchina.com)

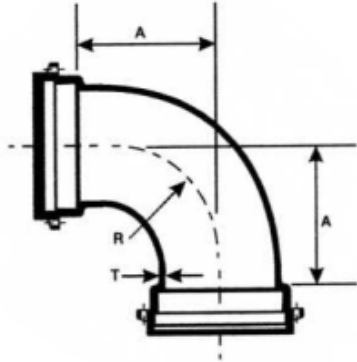
# Cast Iron Fittings

•ANSI/AWWAC110

4" – 12" CI Full Body Push-on Joint Fittings, Class250

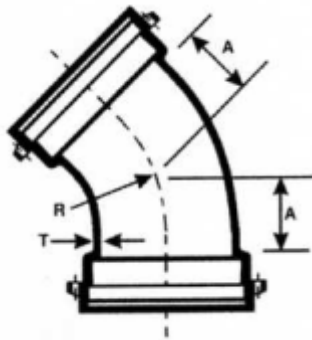
14" – 24" CI Full Body Push-on Joint Fittings, Class150

## 90° Bends



SIZE in.	Item No. CI	A in.	R in.	T in.
4	CPB490	6.5	4.50	0.52
6	CPB690	8.0	6.00	0.55
8	CPB890	9.0	7.00	0.60
10	CPB1090	11.0	9.00	0.68
12	CPB1290	12.0	10.00	0.75
14	CPB1490	14.0	11.50	0.66
16	CPB1690	15.0	12.50	0.70
18	CPB1890	16.5	14.00	0.75
20	CPB2090	18.0	15.50	0.80
24	CPB2490	22.0	18.50	0.89

## 45° Bends



SIZE in.	Item No. CI	A in.	R in.	T in.
4	CPB445	4.0	4.81	0.52
6	CPB645	5.0	7.25	0.55
8	CPB845	5.5	8.44	0.60
10	CPB1045	6.5	10.88	0.68
12	CPB1245	7.5	13.25	0.75
14	CPB1445	7.5	12.06	0.66
16	CPB1645	8.0	13.25	0.70
18	CPB1845	8.5	14.50	0.75
20	CPB2045	9.5	16.88	0.80
24	CPB2445	11.0	18.12	0.89

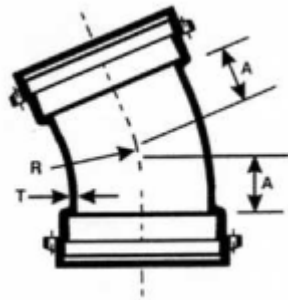
# Cast Iron Fittings

•ANSI/AWWAC110

4" – 12" CI Full Body Push-on Joint Fittings, Class250

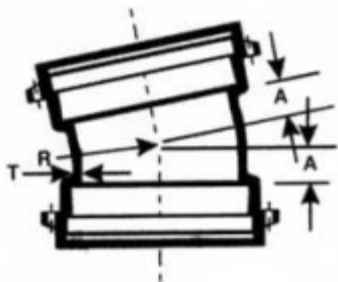
14" – 24" CI Full Body Push-on Joint Fittings, Class150

## 22.5° Bends



SIZE in.	Item No. CI	A in.	R in.	T in.
4	CPB422	4.0	10.06	0.52
6	CPB622	5.0	15.06	0.55
8	CPB822	5.5	17.62	0.60
10	CPB1022	6.5	22.62	0.68
12	CPB1222	7.5	27.62	0.75
14	CPB1422	7.5	25.12	0.66
16	CPB1622	8.0	27.62	0.70
18	CPB1822	8.5	30.19	0.75
20	CPB2022	9.5	35.19	0.80
24	CPB2422	11.0	37.69	0.89

## 11.25° Bends



SIZE in.	Item No. CI	A in.	R in.	T in.
4	CPB411	4.0	20.31	0.52
6	CPB611	5.0	30.50	0.55
8	CPB811	5.5	35.50	0.60
10	CPB1011	6.5	45.69	0.68
12	CPB1211	7.5	55.81	0.75
14	CPB1411	7.5	50.75	0.66
16	CPB1611	8.0	55.81	0.70
18	CPB1811	8.5	60.94	0.75
20	CPB2011	9.5	71.06	0.80
24	CPB2411	11.0	76.12	0.89

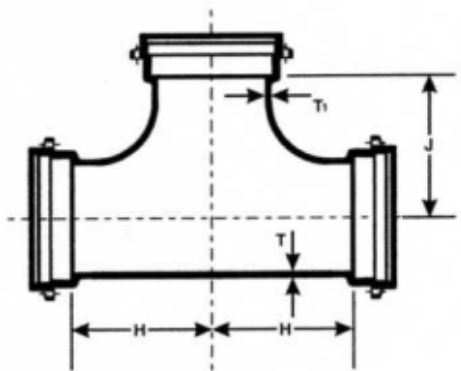
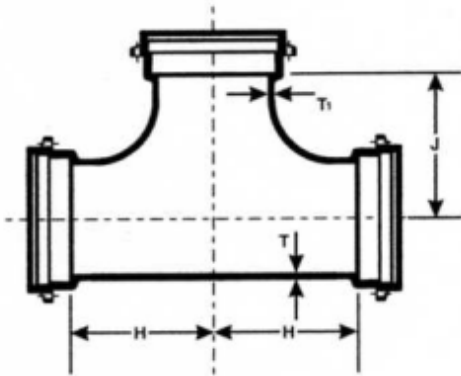
# Cast Iron Fittings

•ANSI/AWWAC110

4" – 12" CI Full Body Push-on Joint Fittings, Class250

14" –24" CI Full Body Push-on Joint Fittings, Class150

## Tees



SIZE Run×Branch	Item No. CI	H in.	J in.	T in.	T1 in.
4×4	DPT44	6.50	6.50	0.52	0.52
6×4	DPT64	8.00	8.00	0.55	0.52
6×6	DPT66	8.00	8.00	0.55	0.55
8×4	DPT84	9.00	9.00	0.60	0.52
8×6	DPT86	9.00	9.00	0.60	0.55
8×8	DPT88	9.00	9.00	0.60	0.60
10×4	DPT104	11.00	11.00	0.68	0.52
10×6	DPT106	11.00	11.00	0.68	0.55
10×8	DPT108	11.00	11.00	0.68	0.60
10×10	DPT1010	11.00	11.00	0.80	0.80
12×4	DPT124	12.00	12.00	0.75	0.52
12×6	DPT126	12.00	12.00	0.75	0.55
12×8	DPT108	12.00	12.00	0.75	0.60
12×10	DPT1010	12.00	12.00	0.87	0.80
12×12	DPT1212	12.00	12.00	0.87	0.87
14×6	DPT146	14.00	14.00	0.66	0.55
14×8	DPT148	14.00	14.00	0.66	0.60
14×10	DPT1410	14.00	14.00	0.66	0.68
14×12	DPT1412	14.00	14.00	0.82	0.75
14×14	DPT1414	14.00	14.00	0.82	0.82
16×6	DPT166	15.00	15.00	0.70	0.55
16×8	DPT168	15.00	15.00	0.70	0.60
16×10	DPT1610	15.00	15.00	0.70	0.68
16×12	DPT1612	15.00	15.00	0.70	0.75
16×14	DPT1614	15.00	15.00	0.89	0.82
16×16	DPT1616	15.00	15.00	0.89	0.89
18×6	DPT186	13.00	15.50	0.75	0.55
18×8	DPT188	13.00	15.50	0.75	0.60
18×10	DPT1810	13.00	15.50	0.75	0.68
18×12	DPT1812	13.00	15.50	0.75	0.75
18×14	DPT1814	16.50	16.50	0.75	0.66
18×16	DPT1816	16.50	16.50	0.96	0.89
18×18	DPT1818	16.50	16.50	0.96	0.96



SUZHOU EVERFORTUNE IMP. & EXP.CO.LTD  
MR. NI ZHEN YU

TEL: 0086-512-68620273; FAX:0086-512-68625516/68625626

[www.pipingchina.com](http://www.pipingchina.com)



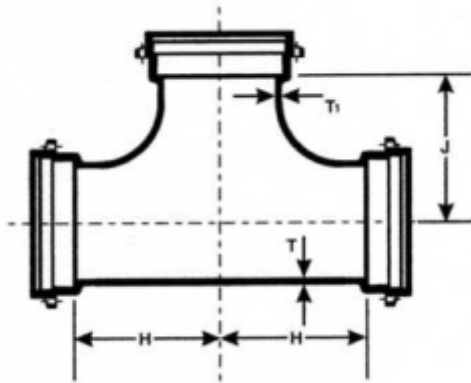
# Cast Iron Fittings

•ANSI/AWWAC110

4" – 12" CI Full Body Push-on Joint Fittings, Class250

14" –24" CI Full Body Push-on Joint Fittings, Class150

## Tees



SIZE Run×Branch	Item No. CI	H in.	J in.	T in.	T1 in.
20×6	DPT206	14.00	17.00	0.80	0.55
20×8	DPT208	14.00	17.00	0.80	0.60
20×10	DPT2010	14.00	17.00	0.80	0.68
20×12	DPT2012	14.00	17.00	0.80	0.75
20×14	DPT2014	14.00	17.00	0.80	0.66
20×16	DPT2016	18.00	18.00	0.80	0.70
20×18	DPT2018	18.00	18.00	1.03	0.96
20×20	DPT2020	18.00	18.00	1.03	1.03
24×6	DPT246	15.00	19.00	0.89	0.55
24×8	DPT248	15.00	19.00	0.89	0.60
24×10	DPT2410	15.00	19.00	0.89	0.68
24×12	DPT2412	15.00	19.00	0.89	0.75
24×14	DPT2414	15.00	19.00	0.89	0.66
24×16	DPT2416	15.00	19.00	0.89	0.70
24×18	DPT2418	22.00	22.00	0.89	0.75
24×20	DPT2420	22.00	22.00	1.16	1.03
24×24	DPT2424	22.00	22.00	1.16	1.16



SUZHOU EVERFORTUNE IMP. & EXP.CO.LTD  
MR. NI ZHEN YU

TEL: 0086-512-68620273; FAX:0086-512-68625516/68625626

[www.pipingchina.com](http://www.pipingchina.com)

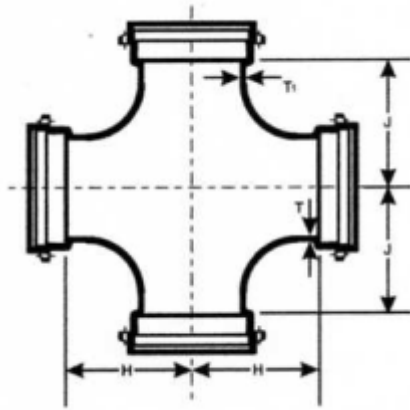
# Cast Iron Fittings

•ANSI/AWWAC110

4" – 12" CI Full Body Push-on Joint Fittings, Class250

14" –24" CI Full Body Push-on Joint Fittings, Class150

## Crosses



SIZE Run×Branch	Item No. CI	H in.	J in.	T in.	T1 in.
4×4	CPC44	6.50	6.50	0.52	0.52
6×4	CPC64	8.00	8.00	0.55	0.52
6×6	CPC66	8.00	8.00	0.55	0.55
8×4	CPC84	9.00	9.00	0.60	0.52
8×6	CPC86	9.00	9.00	0.60	0.55
8×8	CPC88	9.00	9.00	0.60	0.60
10×4	CPC104	11.00	11.00	0.68	0.52
10×6	CPC106	11.00	11.00	0.68	0.55
10×8	CPC108	11.00	11.00	0.68	0.60
10×10	CPC1010	11.00	11.00	0.80	0.80
12×4	CPC124	12.00	12.00	0.75	0.52
12×6	CPC126	12.00	12.00	0.75	0.55
12×8	CPC108	12.00	12.00	0.75	0.60
12×10	CPC1010	12.00	12.00	0.87	0.80
12×12	CPC1212	12.00	12.00	0.87	0.87
14×6	CPC146	14.00	14.00	0.66	0.55
14×8	CPC148	14.00	14.00	0.66	0.60
14×10	CPC1410	14.00	14.00	0.66	0.68
14×12	CPC1412	14.00	14.00	0.82	0.75
14×14	CPC1414	14.00	14.00	0.82	0.82
16×6	CPC166	15.00	15.00	0.70	0.55
16×8	CPC168	15.00	15.00	0.70	0.60
16×10	CPC1610	15.00	15.00	0.70	0.68
16×12	CPC1612	15.00	15.00	0.70	0.75
16×14	CPC1614	15.00	15.00	0.89	0.82
16×16	CPC1616	15.00	15.00	0.89	0.89
18×6	CPC186	13.00	15.50	0.75	0.55
18×8	CPC188	13.00	15.50	0.75	0.60
18×10	CPC1810	13.00	15.50	0.75	0.68
18×12	CPC1812	13.00	15.50	0.75	0.75
18×14	CPC1814	16.50	16.50	0.75	0.66
18×16	CPC1816	16.50	16.50	0.96	0.89
18×18	CPC1818	16.50	16.50	0.96	0.96



SUZHOU EVERFORTUNE IMP. & EXP.CO.LTD  
MR. NI ZHEN YU

TEL: 0086-512-68620273; FAX:0086-512-68625516/68625626

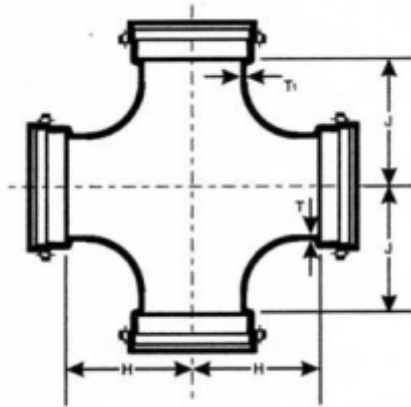
[www.pipingchina.com](http://www.pipingchina.com)

# Cast Iron Fittings

•ANSI/AWWAC110

4" – 12" CI Full Body Push-on Joint Fittings, Class250

14" –24" CI Full Body Push-on Joint Fittings, Class150



## Crosses

SIZE Run×Branch	Item No. CI	H in.	J in.	T in.	T1 in.
20×6	CPC206	14.00	17.00	0.80	0.55
20×8	CPC208	14.00	17.00	0.80	0.60
20×10	CPC2010	14.00	17.00	0.80	0.68
20×12	CPC2012	14.00	17.00	0.80	0.75
20×14	CPC2014	14.00	17.00	0.80	0.66
20×16	CPC2016	18.00	18.00	0.80	0.70
20×18	CPC2018	18.00	18.00	1.03	0.96
20×20	CPC2020	18.00	18.00	1.03	1.03
24×6	CPC246	15.00	19.00	0.89	0.55
24×8	CPC248	15.00	19.00	0.89	0.60
24×10	CPC2410	15.00	19.00	0.89	0.68
24×12	CPC2412	15.00	19.00	0.89	0.75
24×14	CPC2414	15.00	19.00	0.89	0.66
24×16	CPC2416	15.00	19.00	0.89	0.70
24×18	CPC2418	22.00	22.00	0.89	0.75
24×20	CPC2420	22.00	22.00	1.16	1.03
24×24	CPC2424	22.00	22.00	1.16	1.16



SUZHOU EVERFORTUNE IMP. & EXP.CO.LTD  
MR. NI ZHEN YU

TEL: 0086-512-68620273; FAX:0086-512-68625516/68625626

[www.pipingchina.com](http://www.pipingchina.com)

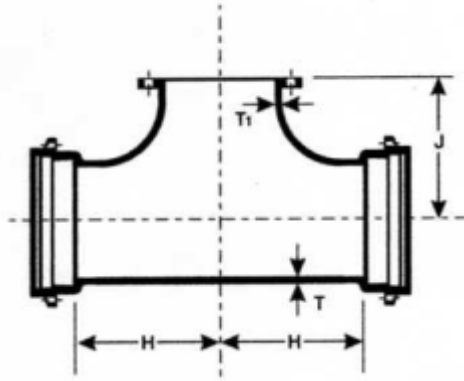
# Cast Iron Fittings

•ANSI/AWWAC110

4" – 12" CI Full Body Push-on Joint Fittings, Class250

14" –24" CI Full Body Push-on Joint Fittings, Class150

## Push-on × Flange Tees



SIZE Run×Branch	Item No. CI	H in.	J in.	T in.	T1 in.
4×4	CPF44	6.50	6.50	0.52	0.52
6×4	CPF64	8.00	8.00	0.55	0.52
6×6	CPF66	8.00	8.00	0.55	0.55
8×4	CPF84	9.00	9.00	0.60	0.52
8×6	CPF86	9.00	9.00	0.60	0.55
8×8	CPF88	9.00	9.00	0.60	0.60
10×4	CPF104	11.00	11.00	0.68	0.52
10×6	CPF106	11.00	11.00	0.68	0.55
10×8	CPF108	11.00	11.00	0.68	0.60
10×10	CPF1010	11.00	11.00	0.80	0.80
12×4	CPF124	12.00	12.00	0.75	0.52
12×6	CPF126	12.00	12.00	0.75	0.55
12×8	CPF108	12.00	12.00	0.75	0.60
12×10	CPF1010	12.00	12.00	0.87	0.80
12×12	CPF1212	12.00	12.00	0.87	0.87
14×6	CPF146	14.00	14.00	0.66	0.55
14×8	CPF148	14.00	14.00	0.66	0.60
14×10	CPF1410	14.00	14.00	0.66	0.68
14×12	CPF1412	14.00	14.00	0.82	0.75
14×14	CPF1414	14.00	14.00	0.82	0.82
16×6	CPF166	15.00	15.00	0.70	0.55
16×8	CPF168	15.00	15.00	0.70	0.60
16×10	CPF1610	15.00	15.00	0.70	0.68
16×12	CPF1612	15.00	15.00	0.70	0.75
16×14	CPF1614	15.00	15.00	0.89	0.82
16×16	CPF1616	15.00	15.00	0.89	0.89
18×6	CPF186	13.00	15.50	0.75	0.55
18×8	CPF188	13.00	15.50	0.75	0.60
18×10	CPF1810	13.00	15.50	0.75	0.68
18×12	CPF1812	13.00	15.50	0.75	0.75
18×14	CPF1814	16.50	16.50	0.75	0.66
18×16	CPF1816	16.50	16.50	0.96	0.89
18×18	CPF1818	16.50	16.50	0.96	0.96



SUZHOU EVERFORTUNE IMP. & EXP.CO.LTD  
MR. NI ZHEN YU

TEL: 0086-512-68620273; FAX:0086-512-68625516/68625626

[www.pipingchina.com](http://www.pipingchina.com)

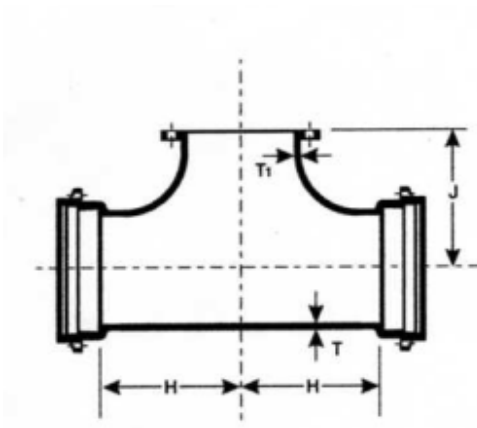
# Cast Iron Fittings

•ANSI/AWWAC110

4" – 12" CI Full Body Push-on Joint Fittings, Class250

14" –24" CI Full Body Push-on Joint Fittings, Class150

## Push-on×Flange Tees



SIZE Run×Branch	Item No. CI	H in.	J in.	T in.	T1 in.
20×6	CPF206	14.00	17.00	0.80	0.55
20×8	CPF208	14.00	17.00	0.80	0.60
20×10	CPF2010	14.00	17.00	0.80	0.68
20×12	CPF2012	14.00	17.00	0.80	0.75
20×14	CPF2014	14.00	17.00	0.80	0.66
20×16	CPCF016	18.00	18.00	0.80	0.70
20×18	CPF2018	18.00	18.00	1.03	0.96
20×20	CPF2020	18.00	18.00	1.03	1.03
24×6	CPF246	15.00	19.00	0.89	0.55
24×8	CPF248	15.00	19.00	0.89	0.60
24×10	CPF2410	15.00	19.00	0.89	0.68
24×12	CPF2412	15.00	19.00	0.89	0.75
24×14	CPF2414	15.00	19.00	0.89	0.66
24×16	CPF2416	15.00	19.00	0.89	0.70
24×18	CPF2418	22.00	22.00	0.89	0.75
24×20	CPF2420	22.00	22.00	1.16	1.03
24×24	CPC2424	22.00	22.00	1.16	1.16



SUZHOU EVERFORTUNE IMP. & EXP.CO.LTD  
MR. NI ZHEN YU

TEL: 0086-512-68620273; FAX:0086-512-68625516/68625626

[www.pipingchina.com](http://www.pipingchina.com)

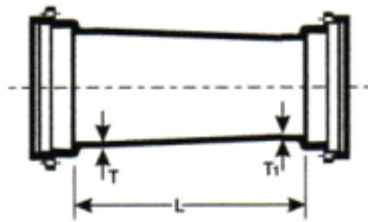
# Cast Iron Fittings

•ANSI/AWWAC110

4" – 12" CI Full Body Push-on Joint Fittings, Class250

14" –24" CI Full Body Push-on Joint Fittings, Class150

## Reducers



SIZE Run×Branch	Item No. CI	L in.	T in.	T1 in.
6×4	CPR64	9	0.55	0.52
8×4	CPR84	11	0.60	0.52
8×6	CPR86	11	0.60	0.55
10×4	CPR104	12	0.68	0.52
10×6	CPR106	12	0.68	0.55
10×8	CPR108	12	0.68	0.60
12×4	CPR124	14	0.75	0.52
12×6	CPR126	14	0.75	0.55
12×8	CPR128	14	0.75	0.60
12×10	CPR1210	14	0.75	0.68
14×6	CPR146	16	0.66	0.55
14×8	CPR148	16	0.66	0.60
14×10	CPR1410	16	0.66	0.68
14×12	CPR1412	16	0.66	0.75
16×6	CPR166	18	0.70	0.55
16×8	CPR168	18	0.70	0.60
16×10	CPR1610	18	0.70	0.68
16×12	CPR1612	18	0.70	0.75
16×14	CPR1614	19	0.70	0.66
18×8	CPR188	19	0.75	0.60
18×10	CPR1810	19	0.75	0.68
18×12	CPR1812	19	0.75	0.75
18×14	CPR1814	19	0.75	0.66
18×16	CPR1816	19	0.75	0.70
20×10	CPR2010	20	0.80	0.68
20×12	CPR2012	20	0.80	0.75
20×14	CPR2014	20	0.80	0.66
20×16	CPR2016	20	0.80	0.70
20×18	CPR2018	20	0.80	0.75
24×12	CPR2412	24	0.89	0.75
24×14	CPR2414	24	0.89	0.66
24×16	CPR2416	24	0.89	0.70
24×18	CPR2418	24	0.89	0.75
24×20	CPR2420	24	0.89	0.80



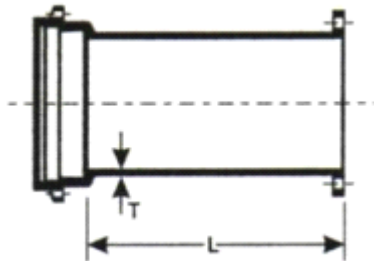
# Cast Iron Fittings

•ANSI/AWWAC110

4" – 12" CI Full Body Push-on Joint Fittings, Class250

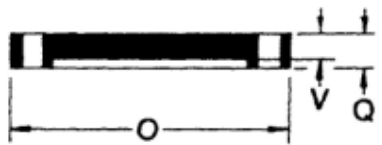
14" –24" CI Full Body Push-on Joint Fittings, Class150

## Push-on×Flanged End



SIZE in.	Item No. CI	L in.	T in.
4	CPFA4	8.0	0.52
6	CPFA6	8.0	0.55
8	CPFA8	8.0	0.60
10	CPFA10	8.0	0.68
12	CPFA12	8.0	0.75
14	CPFA14	8.0	0.66
16	CPFA16	8.0	0.70
18	CPFA18	8.0	0.75
20	CPFA20	8.0	0.80
24	CPFA24	8.0	0.89

## Blind Flanges



3" -12"



14" -24"

SIZE in.	O in	Q in	V in
3	7.5	0.75	0.69
4	9.0	0.94	0.88
6	11.0	1.00	0.94
8	13.5	1.12	1.06
10	16.0	1.19	1.12
12	19.0	1.25	0.81
14	21.0	1.38	0.88
16	23.5	1.44	1.00
18	25.0	1.56	1.06
20	27.5	1.69	1.12
24	32.0	1.88	1.25



SUZHOU EVERFORTUNE IMP. & EXP.CO.LTD  
MR. NI ZHEN YU

TEL: 0086-512-68620273; FAX:0086-512-68625516/68625626

[www.pipingchina.com](http://www.pipingchina.com)