



## 室外地上消火栓

## Outdoor Ground Fire Hydrant

执行标准 Standard:

DIN EN 14339

### 用途 Application

本产品合适用于室外消防系统工程和设备，作为消防灭火取水的接通。

The equipment is used in outdoor fire-fighting system, which enables firefighters to tap into the municipal water supply to assist in extinguishing a fire.



Add: 12/F,International Trade Tower, 6 XihuanRoad Suzhou China

Tel: 0086-512-68620273 Fax:0086-512-68625516

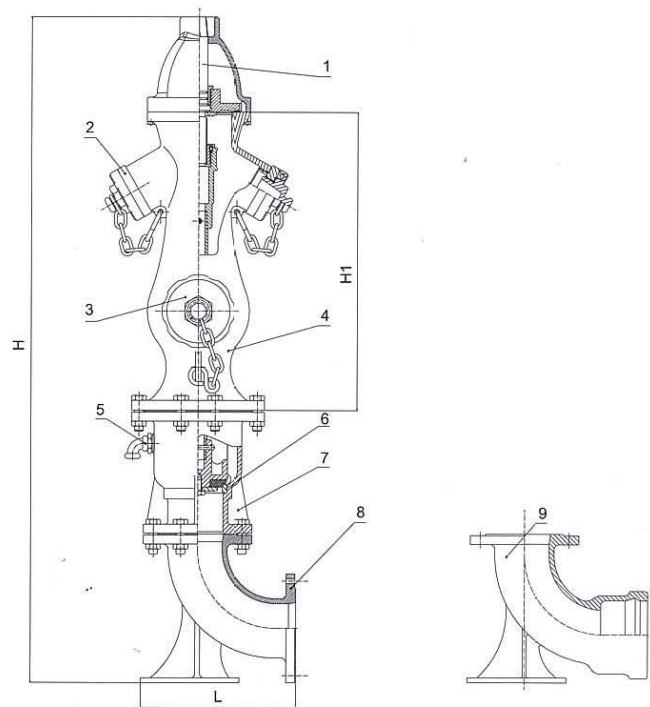
Contacts : Mr. Ni Zhenyu ; E-Mail: [pipingchina@gmail.com](mailto:pipingchina@gmail.com) Web: [www.pipingchina.com](http://www.pipingchina.com)



## 室外地上消火栓 Outdoor Ground Fire Hydrant

### 部件清单 Structure Illustration:

1. 阀杆	Stem
2. 65mm出水口	65mm Water Outlet
3. 100mm进水口	100mm Water Inlet
4. 本体	Main Body
5. 排水阀	Drain Valve
6. 阀座	Valve Seat
7. 阀体	Valve Body
8. 法兰弯座 (1.6型)	Flanged Bend(1.6type)
9. 承插弯座 (1.0型)	Rest Bend(1.0type)



### 参数 Parameter

Ref.net	L mm	H mm	H1 mm
91-100-00	100	1341	602



## 室外地上消火栓 Outdoor Ground Fire Hydrant

执行标准 Standard:  
DIN EN 14339

### 用途 Application

本产品合适用于室外消防系统工程和设备，作为消防灭火取水的接通。  
The equipment is used in outdoor fire-fighting system, which enables firefighters to tap into the municipal water supply to assist in extinguishing a fire.

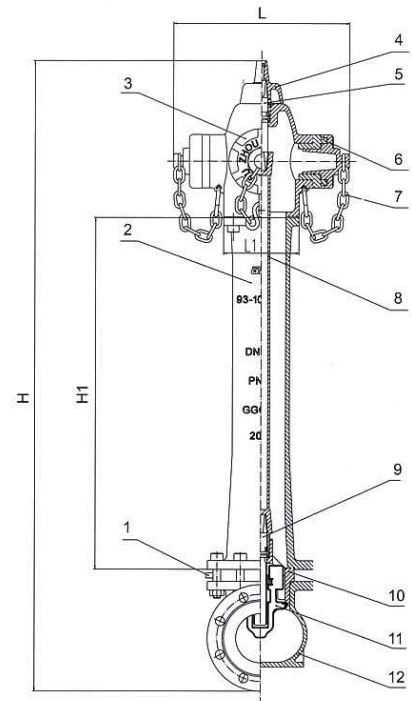




## 室外地上消火栓 Outdoor Ground Fire Hydrant

### 部件清单 Structure Illustration:

1. 自动疏水阀	Drain Bar
2. 本体	Main Body
3. DN100进水口	DN100 Water Inlet
4. 防尘旋钮	Dust-proof Knob
5. 上阀杆	Upper Stem Rod
6. DN65出水口	DN65 Water Outlet
7. 防盗链条	Cap Chain
8. 传动杆	Drive Rod
9. 下阀杆	Lower Stem Rod
10. 阀盘	Valve Disc
11. 阀芯	Valve Plug
12. 阀座	Base



### 参数 Parameter

Ref.net	L mm	H mm	H1 mm	L1 mm
91-100-00	350	1320	788	85





## 室外地上消火栓 Outdoor Ground Fire Hydrant

执行标准 Standard:  
GB4452-1996

### 用途 Application

本产品合适用于室外消防系统工程和设备，作为消防灭火取水的接通。  
The equipment is used in outdoor fire-fighting system, which enables firefighters to tap into the municipal water supply to assist in extinguishing a fire.

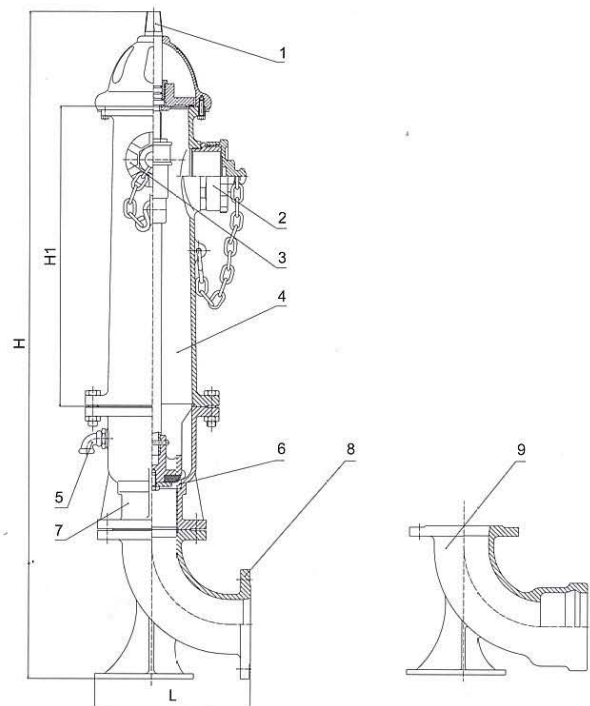




## 室外地上消火栓 Outdoor Ground Fire Hydrant

### 部件清单 Structure Illustration:

1. 阀杆	Stem
2. 65mm出水口	65mm Water Outlet
3. 100mm进水口	100mm Water Inlet
4. 本体	Main Body
5. 排水阀	Drain Valve
6. 阀座	Valve Seat
7. 阀体	Valve Body
8. 法兰弯座 (1.6型)	Flanged Bend(1.6type)
9. 承插弯座 (1.0型)	Rest Bend(1.0type)



### 参数 Parameter

Ref.net	L mm	H mm	H1 mm
91-100-00	100	1343	597